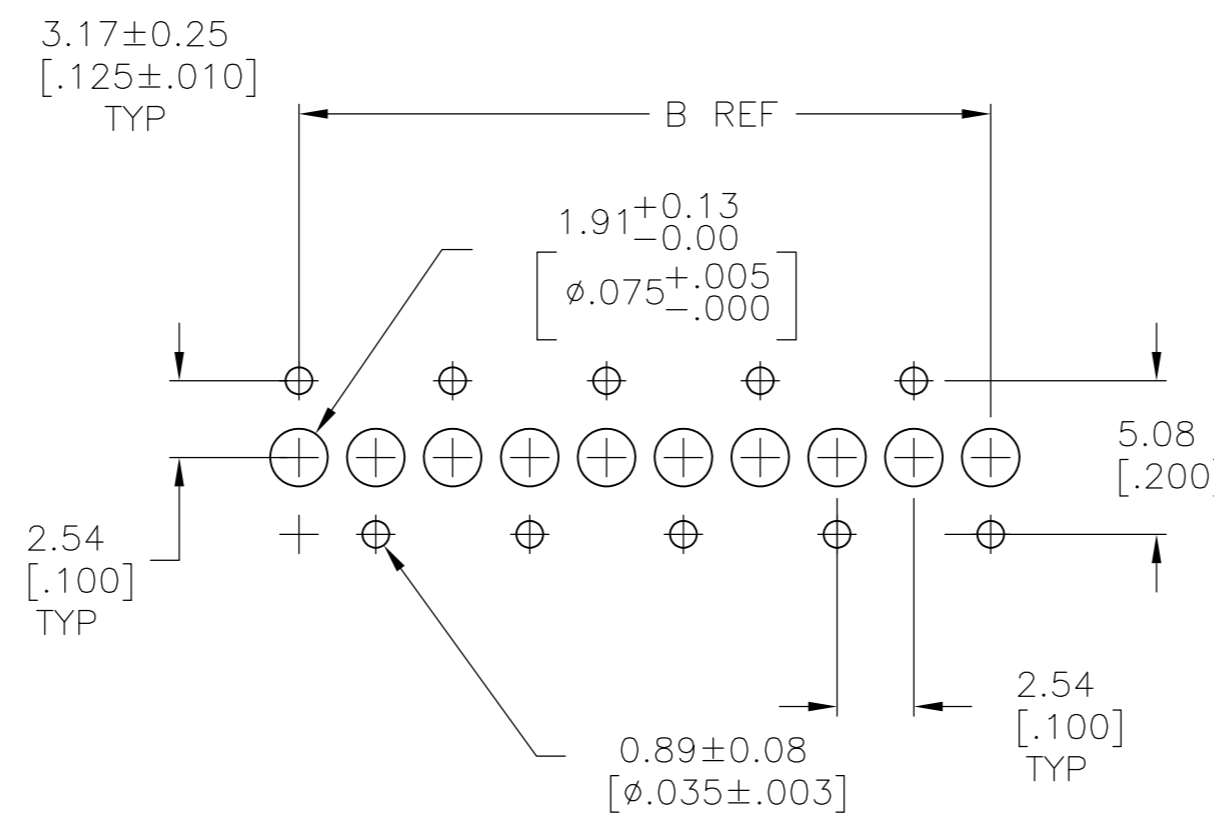
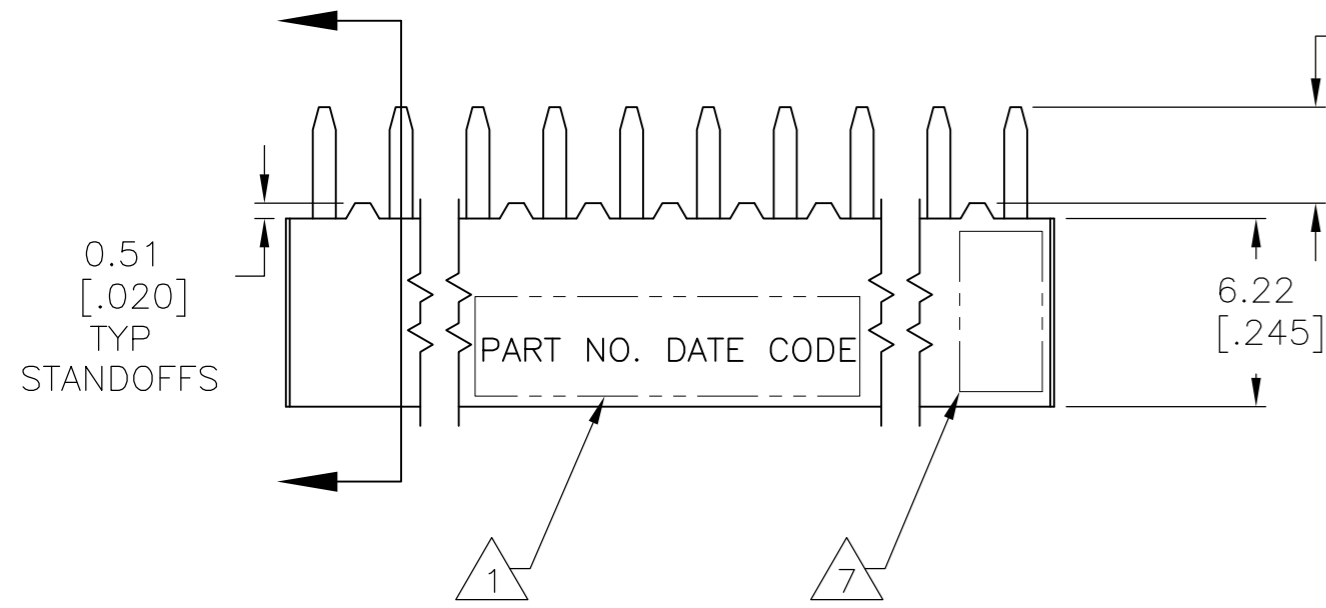
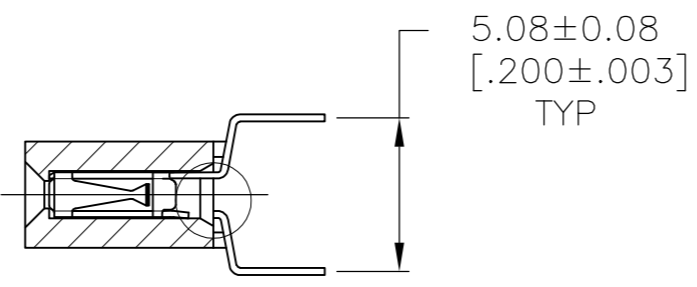
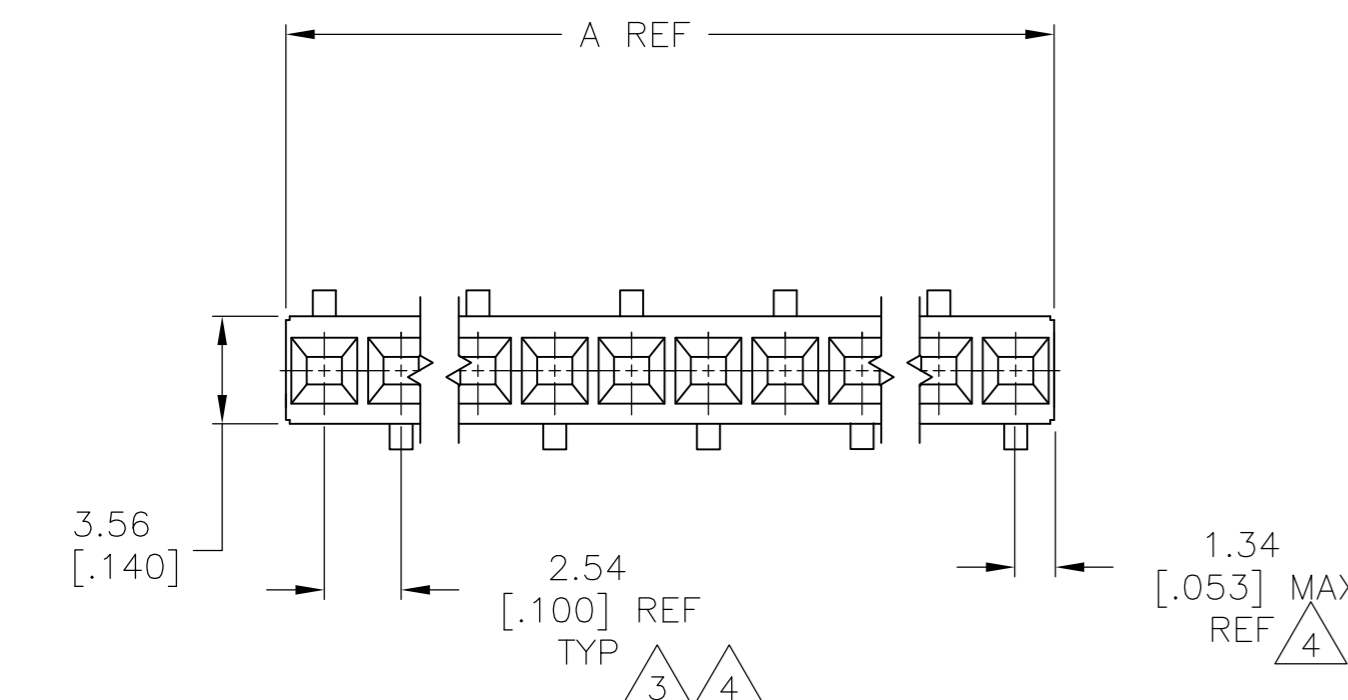


THIS DRAWING IS UNPUBLISHED. RELEASED FOR PUBLICATION  
 © COPYRIGHT - By - ALL RIGHTS RESERVED.

LOC		DIST		REVISIONS			
P	LTR	DESCRIPTION		DATE	DWN	APVD	
AD	00	J4	REVISED PER ECO-13-005565	2APR13	KH	JO	



RECOMMENDED HOLE LAYOUT



SEE SHEET 2 FOR PART NO'S  
 5-147720-1 THRU 8-147720-9

99.06 [3.900]	101.60 [4.000]	40	3-147720-9
96.52 [3.800]	99.06 [3.900]	39	3-147720-8
93.98 [3.700]	96.52 [3.800]	38	3-147720-7
91.44 [3.600]	93.98 [3.700]	37	3-147720-6
88.90 [3.500]	91.44 [3.600]	36	3-147720-5
86.34 [3.400]	88.90 [3.500]	35	3-147720-4
83.82 [3.300]	86.34 [3.400]	34	3-147720-3
81.28 [3.200]	83.82 [3.300]	33	3-147720-2
78.74 [3.100]	81.28 [3.200]	32	3-147720-1
76.20 [3.000]	78.74 [3.100]	31	3-147720-0
73.66 [2.900]	76.20 [3.000]	30	2-147720-9
71.12 [2.800]	73.66 [2.900]	29	2-147720-8
68.58 [2.700]	71.12 [2.800]	28	2-147720-7
66.04 [2.600]	68.58 [2.700]	27	2-147720-6
63.50 [2.500]	66.04 [2.600]	26	2-147720-5
60.96 [2.400]	63.50 [2.500]	25	2-147720-4
58.42 [2.300]	60.96 [2.400]	24	2-147720-3
55.88 [2.200]	58.42 [2.300]	23	2-147720-2
53.34 [2.100]	55.88 [2.200]	22	2-147720-1
50.80 [2.000]	53.34 [2.100]	21	2-147720-0
48.26 [1.900]	50.80 [2.000]	20	1-147720-9
45.72 [1.800]	48.26 [1.900]	19	1-147720-8
43.18 [1.700]	45.72 [1.800]	18	1-147720-7
40.64 [1.600]	43.18 [1.700]	17	1-147720-6
38.10 [1.500]	40.64 [1.600]	16	1-147720-5
35.56 [1.400]	38.10 [1.500]	15	1-147720-4
33.02 [1.300]	35.56 [1.400]	14	1-147720-3
30.48 [1.200]	33.02 [1.300]	13	1-147720-2
27.94 [1.100]	30.48 [1.200]	12	1-147720-1
25.40 [1.000]	27.94 [1.100]	11	1-147720-0
22.86 [.900]	25.40 [1.000]	10	147720-9
20.32 [.800]	22.86 [.900]	9	147720-8
17.78 [.700]	20.32 [.800]	8	147720-7
15.24 [.600]	17.78 [.700]	7	147720-6
12.70 [.500]	15.24 [.600]	6	147720-5
10.16 [.400]	12.70 [.500]	5	8 147720-4
7.62 [.300]	10.16 [.400]	4	8 147720-3
5.08 [.200]	7.62 [.300]	3	8 147720-2
2.54 [.100]	5.08 [.200]	2	6 147720-1

- 1 MARK PART NUMBER AND DATE CODE IN APPROXIMATE LOCATION SHOWN, EITHER SIDE.
- 2 CONTACT FINISH: DUPLEX PLATED 0.76µm [.000030] GOLD IN CONTACT AREA, 3.81-7.62µm [.000150-.000300] BRIGHT TIN-LEAD ON LEADS ALL OVER 1.27µm [.000050] NICKEL.
- 3 TOLERANCE NON CUMULATIVE.
- 4 THESE DIMENSIONS PERTAIN TO CAVITY CENTERLINES ONLY, NOT TO CONTACT LOCATION
- 5 HOUSING: FLAME RETARDANT, GLASS FILLED POLYESTER, BLACK. CONTACT: PHOSPHOR BRONZE.
- 6 FOR 2 POS, DATE CODE IS STAMPED OPPOSITE SIDE OF TE LOGO.
- 7 TE LOGO AND CSA LOGO ARE MOLDED INTO HOUSING.
- 8 NO PART NUMBER MARKING REQUIRED FOR THIS PART.
- 9 CONTACT FINISH: DUPLEX PLATED 0.76µm [.000030] MIN GOLD IN CONTACT AREA, 3.81-7.62µm [.000150-.000300] MATTE TIN ON LEADS ALL OVER 1.27µm [.000050] MIN NICKEL.
- 10 ROHS 2002/95/EC COMPLIANT.

8 OBSOLETE

THIS DRAWING IS A CONTROLLED DOCUMENT.		DWN M.BINNER 22JAN01	TE Connectivity	
DIMENSIONS: MM [INCHES]		CHK J.OLSON 20MAY02		
TOLERANCES UNLESS OTHERWISE SPECIFIED:		APVD J.OLSON 20MAY02	NAME	
0 PLC ± -		PRODUCT SPEC	RECPT. ASSY., MOD IV, SINGLE ROW, .100CL, VERTICAL BD. MOUNT, CLOSED ENTRY, DUAL ENTRY, SHORT PT OF CONTACT	
1 PLC ± -		APPLICATION SPEC	SIZE	CAGE CODE
2 PLC ± -		108-25022	A2	00779
3 PLC ± 0.13 [.005]		114-25018	DRAWING NO	RESTRICTED TO
4 PLC ± -		WEIGHT	C=147720	-
ANGLES ± -		CUSTOMER DRAWING	SCALE	SHEET
FINISH		SCALE 4:1	1 of 2	REV J4

THIS DRAWING IS UNPUBLISHED. RELEASED FOR PUBLICATION  
 © COPYRIGHT - By - ALL RIGHTS RESERVED.

LOC	DIST	REVISIONS					
AD	00	P	LTR	DESCRIPTION	DATE	DWN	APVD
		-		SEE SHEET 1	-	-	-

D

D

C

C

B

B

A

A

99.06	[3.900]	101.60	[4.000]	40		8-147720-9
96.52	[3.800]	99.06	[3.900]	39		8-147720-8
93.98	[3.700]	96.52	[3.800]	38		8-147720-7
91.44	[3.600]	93.98	[3.700]	37		8-147720-6
88.90	[3.500]	91.44	[3.600]	36		8-147720-5
86.34	[3.400]	88.90	[3.500]	35		8-147720-4
83.82	[3.300]	86.34	[3.400]	34		8-147720-3
81.28	[3.200]	83.82	[3.300]	33		8-147720-2
78.74	[3.100]	81.28	[3.200]	32		8-147720-1
76.20	[3.000]	78.74	[3.100]	31		8-147720-0
73.66	[2.900]	76.20	[3.000]	30		7-147720-9
71.12	[2.800]	73.66	[2.900]	29		7-147720-8
68.58	[2.700]	71.12	[2.800]	28		7-147720-7
66.04	[2.600]	68.58	[2.700]	27		7-147720-6
63.50	[2.500]	66.04	[2.600]	26		7-147720-5
60.96	[2.400]	63.50	[2.500]	25		7-147720-4
58.42	[2.300]	60.96	[2.400]	24		7-147720-3
55.88	[2.200]	58.42	[2.300]	23		7-147720-2
53.34	[2.100]	55.88	[2.200]	22		7-147720-1
50.80	[2.000]	53.34	[2.100]	21		7-147720-0
48.26	[1.900]	50.80	[2.000]	20		6-147720-9
45.72	[1.800]	48.26	[1.900]	19		6-147720-8
43.18	[1.700]	45.72	[1.800]	18		6-147720-7
40.64	[1.600]	43.18	[1.700]	17		6-147720-6
38.10	[1.500]	40.64	[1.600]	16		6-147720-5
35.56	[1.400]	38.10	[1.500]	15		6-147720-4
33.02	[1.300]	35.56	[1.400]	14		6-147720-3
30.48	[1.200]	33.02	[1.300]	13		6-147720-2
27.94	[1.100]	30.48	[1.200]	12		6-147720-1
25.40	[1.000]	27.94	[1.100]	11		6-147720-0
22.86	[.900]	25.40	[1.000]	10		5-147720-9
20.32	[.800]	22.86	[.900]	9		5-147720-8
17.78	[.700]	20.32	[.800]	8		5-147720-7
15.24	[.600]	17.78	[.700]	7		5-147720-6
12.70	[.500]	15.24	[.600]	6		5-147720-5
10.16	[.400]	12.70	[.500]	5		5-147720-4
7.62	[.300]	10.16	[.400]	4		5-147720-3
5.08	[.200]	7.62	[.300]	3		5-147720-2
OBSOLETE		2.54	[.100]	2		5-147720-1

OBSOLETE

B	A	NO OF POSN	PART NUMBER
---	---	------------	-------------

THIS DRAWING IS A CONTROLLED DOCUMENT.		DWN M.BINNER 22JAN01	TE Connectivity	
DIMENSIONS: MM [INCHES]		CHK J.OLSON 20MAY02		
TOLERANCES UNLESS OTHERWISE SPECIFIED:		APVD J.OLSON 20MAY02	NAME RECPT. ASSY., MOD IV, SINGLE ROW, .100CL, VERTICAL BD. MOUNT, CLOSED ENTRY, DUAL ENTRY, SHORT PT OF CONTACT	
0 PLC ± -		PRODUCT SPEC 108-25022	SIZE A2	
1 PLC ± -		APPLICATION SPEC 114-25018	CAGE CODE 00779	
2 PLC ± -		WEIGHT -	DRAWING NO 147720	
3 PLC ± 0.13 [.005]		RESTRICTED TO -		
4 PLC ± -		SCALE 4:1 SHEET 2 OF 2 REV J4		
ANGLES ± -		CUSTOMER DRAWING		
FINISH				