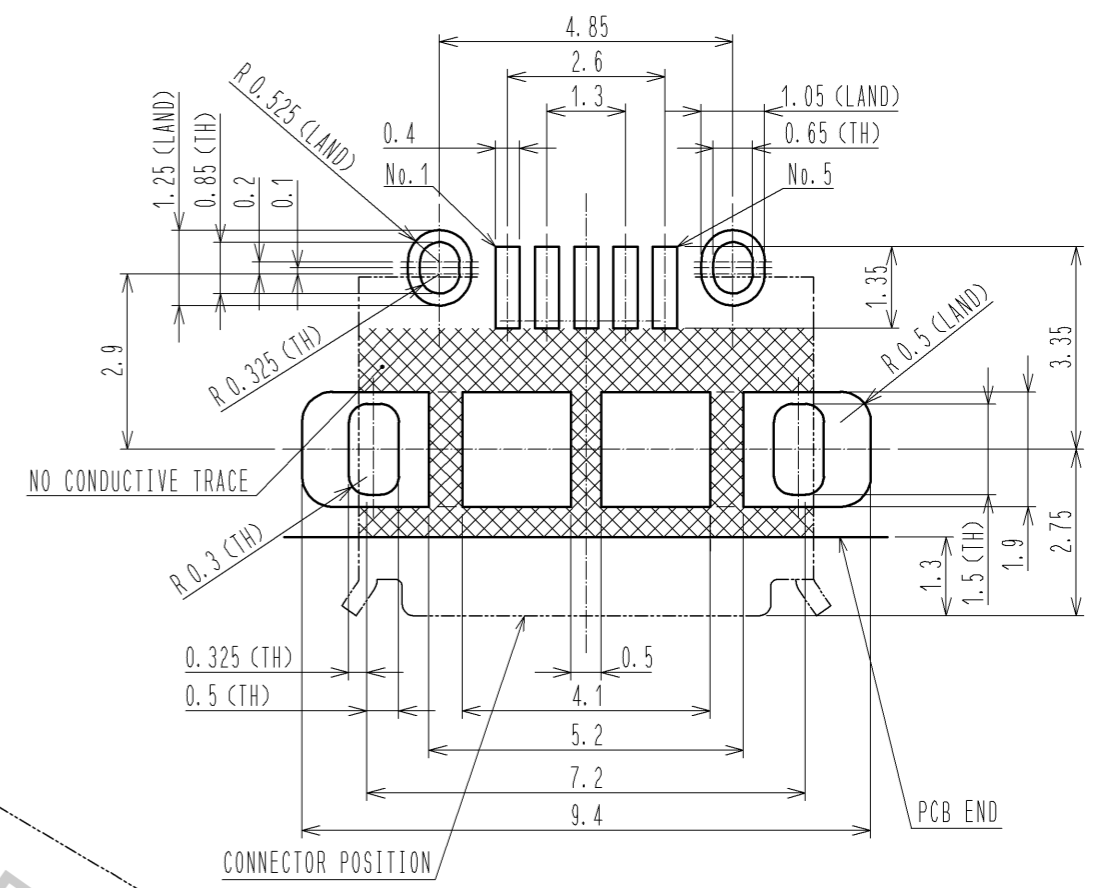


**NOTES.**

- 1 CO-PLANARITY IS WITHIN 0.08mm MAX.
- 2 PLATING  
CONTACT AREA :GOLD 0.05μm MIN OVER PALLADIUM NICKEL 0.75μm MIN.  
LEAD AREA :GOLD 0.05μm MIN.  
UNDER PLATING:NICKEL 2μm MIN.
- 3 PER REEL : 3000 pcs.
- 4. INTERFACE DIMENSIONS TO USB2.0 SPECIFICATION.
- 5. AS FOR PART No.3, THE PERFORMANCE REMAINS GOOD EVEN IF THERE IS A RUBBING WOUND BY THE ASSEMBLY PROCESS.
- 6 AS FOR PART No.3, THERE IS NO PROBLEM ON THE QUALITY THOUGH THERE MIGHT BE A DIFFERENCE IN THE COLOR DEPENDING ON THE PLATING PROCESSING LOT.
- 7 CODE CONFIGURATION IS SHOWN IN FIG.1.

**PCB BOARD PATTERN FOR REFERENCE(FREE)**



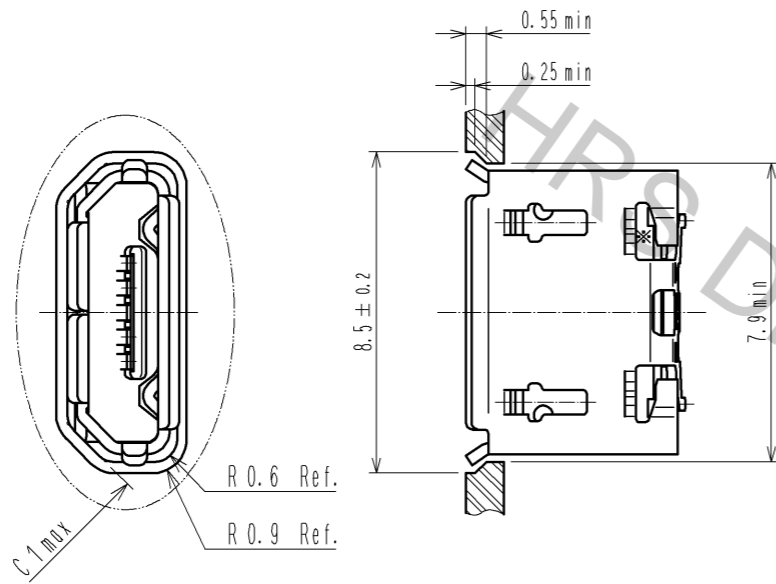
GENERAL TOLERANCE IS ±0.05mm

FIG.1. CODE CONFIGURATION FOR 4 DIGITS

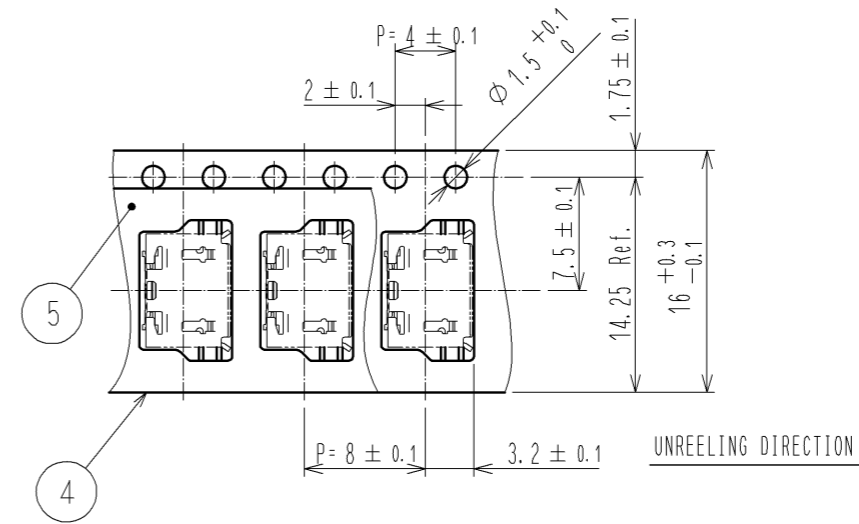
Year	Symbol	Month	Symbol	Day	Symbol	Day	Symbol	Day	Symbol	Line No.	Symbol
2011	1	Jan.	A	1	1	11	B	21	M	1	A
2012	2	Feb.	B	2	2	12	C	22	N	2	B
2013	3	Mar.	C	3	3	13	D	23	P	3	C
2014	4	Apr.	D	4	4	14	E	24	Q	4	D
2015	5	May.	E	5	5	15	F	25	R	5	E
2016	6	Jun.	F	6	6	16	G	26	S	6	F
2017	7	Jul.	G	7	7	17	H	27	T	7	G
2018	8	Aug.	H	8	8	18	J	28	U	8	H
2019	9	Sep.	I	9	9	19	K	29	V	9	I
2020	0	Oct.	J	10	A	20	L	30	W	10	J
		Nov.	K								
		Dec.	L					31	X		

2	BRASS		2								
1	LCP	BLACK	UL94V-0								
NO.	MATERIAL	FINISH . REMARKS		NO.	MATERIAL	FINISH . REMARKS					
UNITS	mm	SCALE	5 : 1	COUNT	DESCRIPTION OF REVISIONS	DESIGNED	CHECKED	DATE			
					APPROVED : NM. NISHIMATSU	12.08.10			DRAWING NO.	EDC3-127464-00	
					CHECKED : NM. NISHIMATSU	12.08.10			PART NO.	ZX62D-B-5PA5	
					DESIGNED : KO. KAWAMURA	12.08.10			CODE NO.	CL242-0066-7-00	
					DRAWN : KO. KAWAMURA	12.08.10					1/2

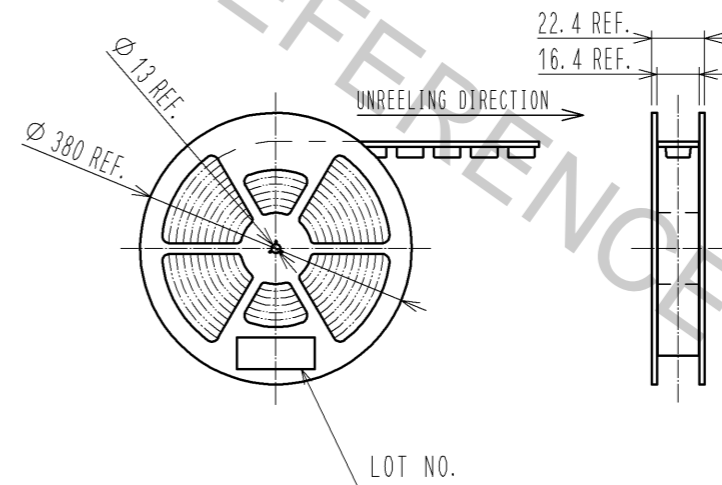
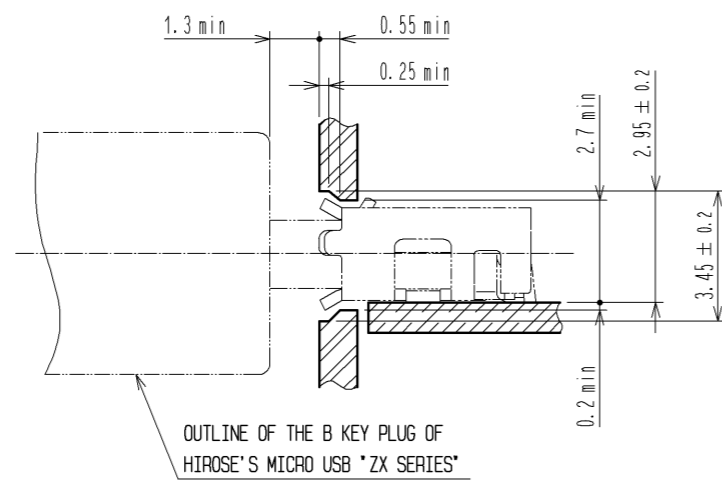
PANEL CUTOUT FOR REFERENCE



3 DRAWING FOR PACKING(FREE)



MATED WITH CORRESPONDING PLUG



<b>HRS</b>	DRAWING NO.	EDC3-127464-00	△ 2/2
	PART NO.	ZX62D-B-5PA5	
	CODE NO.	CL242-0066-7-00	