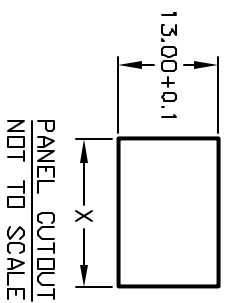
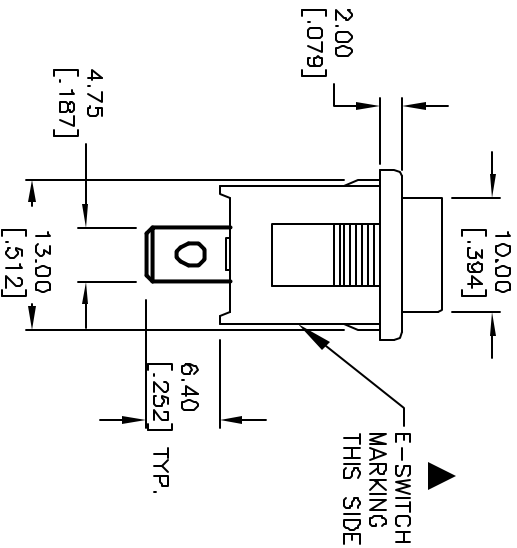
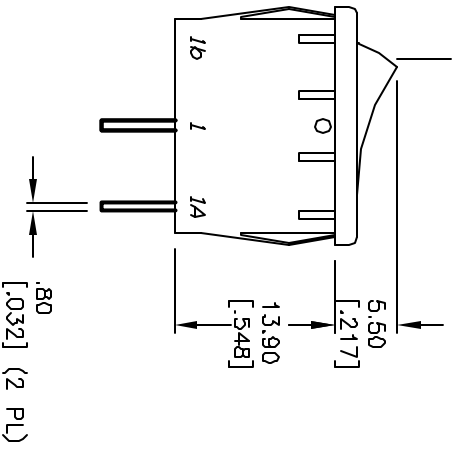
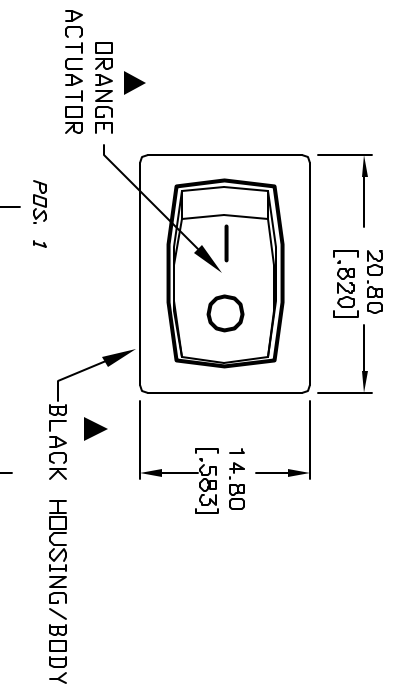
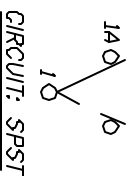


PANEL THICKNESS	X dimension
0.75-1.25 [0.30-.049]	19.2-0.1 [7.56]
1.25-2.0 [0.49-.079]	19.4-0.1 [7.64]
2.0-3.0 [0.79-.118]	19.8-0.1 [7.80]

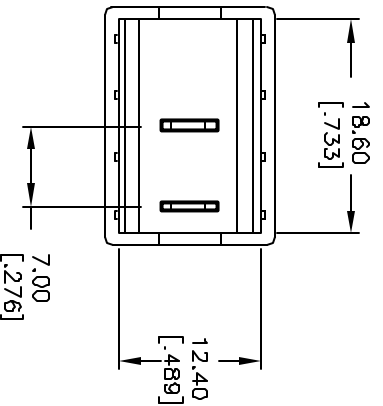


SWITCH FUNCTION	
POS. 1	POS. 2
ON	OFF
1-1a	OPEN



NOTES:

1. ALL DIMENSIONS IN MM [INCH]
2. GENERAL TOLERANCE: X.X=±0.4 X.XX=±0.25
3. TERMINAL NUMBERS FOR REF ONLY
4. RATING: 15A @ 125VAC OR 6A @ 250VAC
5. MATERIALS: TERMINALS: Silver Plated Copper Alloy CONTACTS: Coin Silver, Silver Plated
6. ELECTRICAL LIFE: 10,000 cycles
7. MECHANICAL LIFE: 15,000
8. CONTACT RESISTANCE: <10 Mega-Ohms
9. INSULATION RESISTANCE: >1000 Mega-Ohms
10. DIELECTRIC STRENGTH: >1500 V 1 minute >3000 V between poles
11. HOUSING COLOR: BLACK ACTUATOR COLOR: ORANGE TO MATCH PANTONE COLOR NUMBER 021U



E-SWITCH®

REV.	ECN No.	DESCRIPTION	DATE	CHK'D
B	12292	ADDED PANTONE COLOR NO.	7/05/02	RC
A	12258	RELEASED FOR PRODUCTION	6/24/02	CJB

TITLE	SCALE	DATE	DR	DWG	REV
R1966A BLK DRG FF	1.5:1	6/24/02	CJB	M301232	B

THE INFORMATION CONTAINED IN THIS DOCUMENT IS PROPRIETARY TO E-SWITCH AND IS NOT TO BE COPIED OR TRANSMITTED