

DISTRIBUTION A

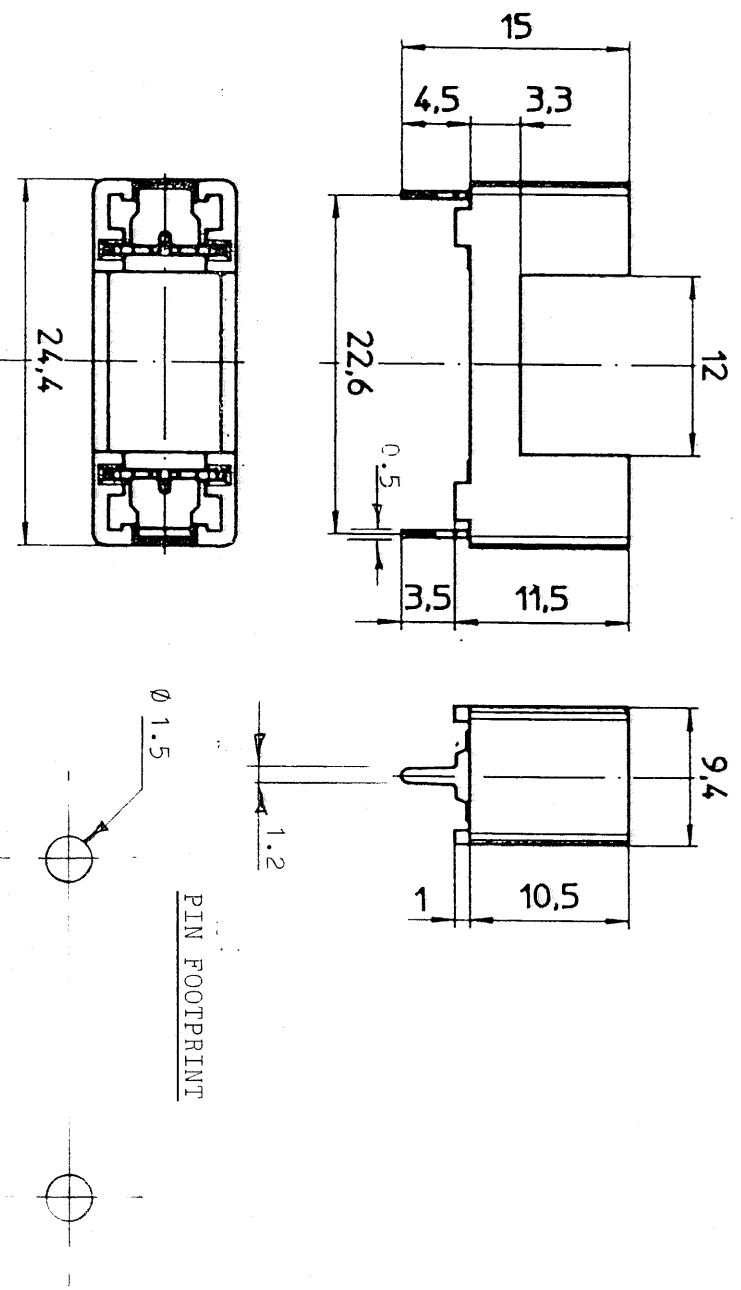
THIRD ANGLE PROJECTION

TOLERANCES unless otherwise stated FRACTIONS

DECIMALS

USED ON

ALL DIMENSIONS IN MILLIMETRES
EXCEPT WHERE TOLERANCED
DIMENSIONS ARE NOMINAL
FOR INFORMATION ONLY.



HTC-78M

2	11646	1.7.97
1	11304	28.03.96
ISS	REVISION	DATE

INFORMATION SHEET

DRAWN	P. J. B.
TRACED	
App.	

Bussmann Division
Cooper (U.K.) Limited
Frome, Somerset BA11 1PP
England.



DRAWING No.	TS-20-10-HTC-78M
SHEET 1 OF 1 SHEETS	

DESCRIPTION
FUSEHOLDER FOR
20 x 5 Fuses.
2 Pin. 22.6 Crs

FINISH

MATL. & SPEC
Body. Black
Plastic:-PA68
Contact:-
CuZn 37 H30

COOPER INDUSTRIES INC.
The copyright in this drawing
the property of COOPER
INDUSTRIES INC. and the
drawing is only issued for the
express purpose authorised by
COOPER INDUSTRIES INC.
Any use of this drawing, or the
copying thereof or the
disclosure thereof to a third
party is forbidden unless
previously authorised by the
copyright owners, in writing.

COOPER INDUSTRIES INC.
The copyright in this drawing
the property of COOPER
INDUSTRIES INC. and the
drawing is only issued for the
express purpose authorised by
COOPER INDUSTRIES INC.
Any use of this drawing, or the
copying thereof or the
disclosure thereof to a third
party is forbidden unless
previously authorised by the
copyright owners, in writing.

COOPER INDUSTRIES INC.
The copyright in this drawing
the property of COOPER
INDUSTRIES INC. and the
drawing is only issued for the
express purpose authorised by
COOPER INDUSTRIES INC.
Any use of this drawing, or the
copying thereof or the
disclosure thereof to a third
party is forbidden unless
previously authorised by the
copyright owners, in writing.

COOPER INDUSTRIES INC.
The copyright in this drawing
the property of COOPER
INDUSTRIES INC. and the
drawing is only issued for the
express purpose authorised by
COOPER INDUSTRIES INC.
Any use of this drawing, or the
copying thereof or the
disclosure thereof to a third
party is forbidden unless
previously authorised by the
copyright owners, in writing.

COOPER INDUSTRIES INC.
The copyright in this drawing
the property of COOPER
INDUSTRIES INC. and the
drawing is only issued for the
express purpose authorised by
COOPER INDUSTRIES INC.
Any use of this drawing, or the
copying thereof or the
disclosure thereof to a third
party is forbidden unless
previously authorised by the
copyright owners, in writing.

COOPER INDUSTRIES INC.
The copyright in this drawing
the property of COOPER
INDUSTRIES INC. and the
drawing is only issued for the
express purpose authorised by
COOPER INDUSTRIES INC.
Any use of this drawing, or the
copying thereof or the
disclosure thereof to a third
party is forbidden unless
previously authorised by the
copyright owners, in writing.

COOPER INDUSTRIES INC.
The copyright in this drawing
the property of COOPER
INDUSTRIES INC. and the
drawing is only issued for the
express purpose authorised by
COOPER INDUSTRIES INC.
Any use of this drawing, or the
copying thereof or the
disclosure thereof to a third
party is forbidden unless
previously authorised by the
copyright owners, in writing.

COOPER INDUSTRIES INC.
The copyright in this drawing
the property of COOPER
INDUSTRIES INC. and the
drawing is only issued for the
express purpose authorised by
COOPER INDUSTRIES INC.
Any use of this drawing, or the
copying thereof or the
disclosure thereof to a third
party is forbidden unless
previously authorised by the
copyright owners, in writing.