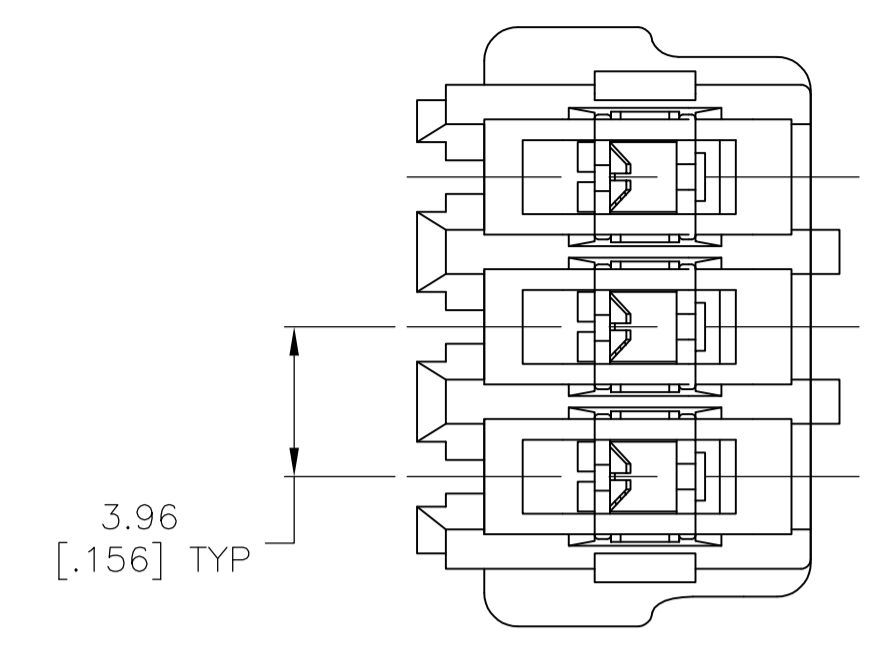
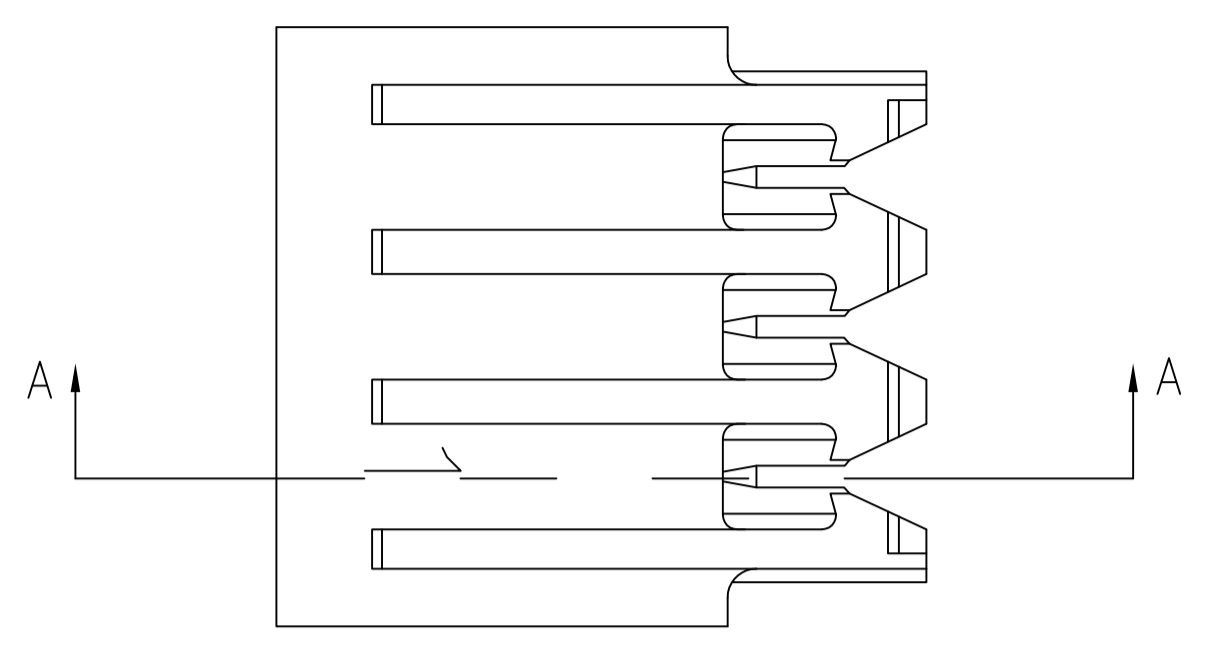
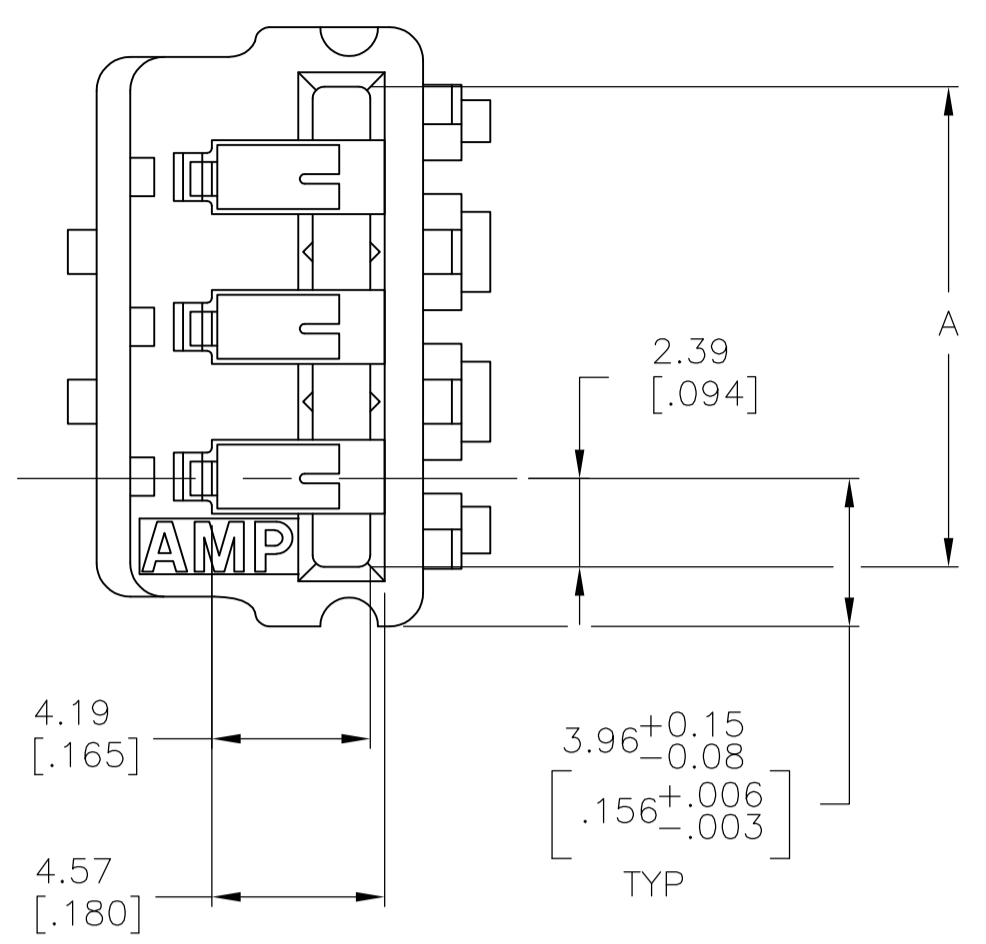
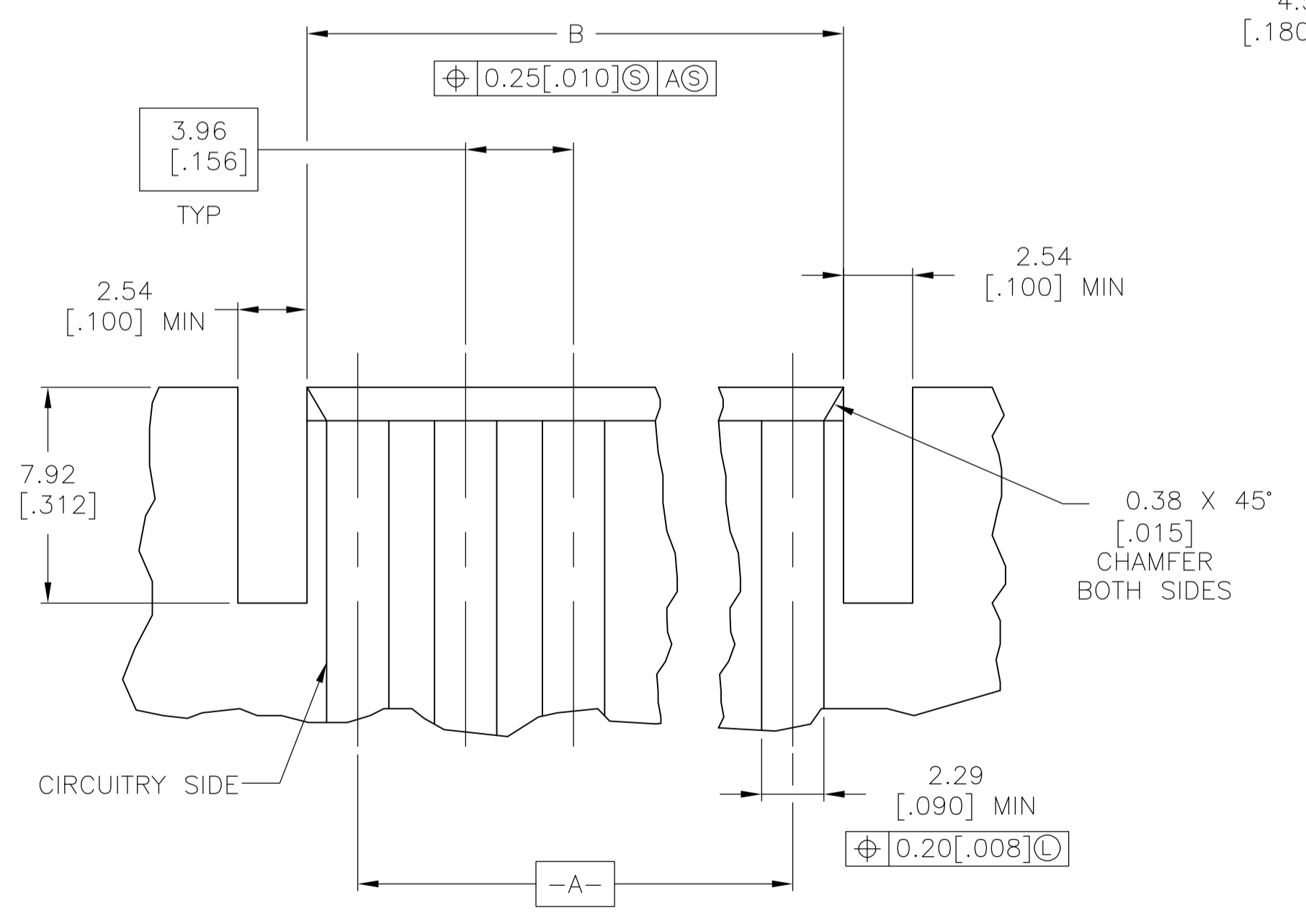
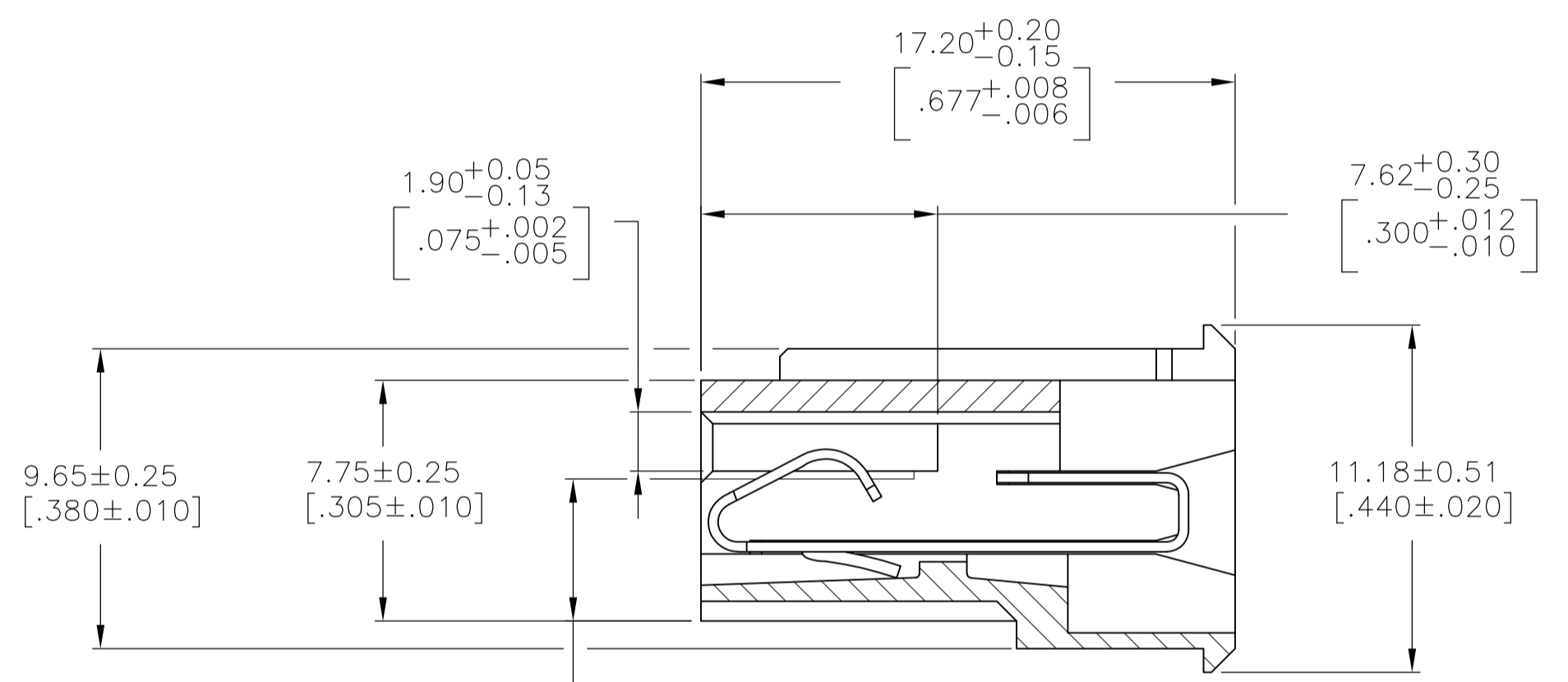


LOC		DIST		REVISIONS			
CM	0	REV	DESCRIPTION	DATE	BY	CHK	APVD
R		ECO-07-012898		27JUN07	KW	DB	
R1		REVISED PER ECO-09-021510		16SEP09	KK	AEG	



- MATERIAL:
CONNECTOR: POLYESTER UL94V-0 (YELLOW).
CONTACTS: 0.30[.012] THK COPPER ALLOY.
 - CONTACT ACCEPT #20 AWG WIRE WITH 2.41[.095] MAXIMUM INSULATION DIAMETER.
 - CONNECTOR MATES WITH 1.57±0.20[.062±.008] THICK PC BOARD.
 - HOUSING FEATURES: FEED-THRU, STANDARD MOUTH WITHOUT MOUNTING EARS.
- △5 CONTACT FINISH: BRIGHT TIN-LEAD 0.00203[.000080] MIN THK.
 △6 CONTACT FINISH: MATTE WHISKER MITIGATED TIN 0.00203[.000080] MIN THICKNESS OVER NICKEL UNDERPLATE.
 △ OBSOLETE PARTS: OBSOLETE CIS STREAMLINING PER D.RENAUD/D.SINISI



RECOMMENDED P.C. BOARD LAYOUT

SUPERCEDED

CONTACT FINISH	B	A	NO. OF CIRCUITS	PART NUMBER
△6	95.50 [3.760]	95.91 [3.776]	24	5-641284-4
	91.54 [3.604]	91.95 [3.620]	23	5-641284-3
	87.58 [3.448]	87.99 [3.464]	22	5-641284-2
	83.62 [3.292]	84.02 [3.308]	21	5-641284-1
	79.65 [3.136]	80.06 [3.152]	20	5-641284-0
	71.73 [2.824]	72.14 [2.840]	18	4-641284-8
	59.84 [2.356]	60.25 [2.372]	15	4-641284-5
	47.96 [1.888]	48.36 [1.904]	12	4-641284-2
	36.07 [1.420]	36.47 [1.436]	9	3-641284-9
	24.18 [.952]	24.59 [.968]	6	3-641284-6
	12.29 [.484]	12.70 [.500]	3	3-641284-3
	△5	95.50 [3.760]	95.91 [3.776]	24
91.54 [3.604]		91.95 [3.620]	23	2-641284-3
87.58 [3.448]		87.99 [3.464]	22	2-641284-2
83.62 [3.292]		84.02 [3.308]	21	2-641284-1
79.65 [3.136]		80.06 [3.152]	20	2-641284-0
71.73 [2.824]		72.14 [2.840]	18	1-641284-8
59.84 [2.356]		60.25 [2.372]	15	1-641284-5
47.96 [1.888]		48.36 [1.904]	12	1-641284-2
36.07 [1.420]		36.47 [1.436]	9	641284-9
24.18 [.952]		24.59 [.968]	6	641284-6
12.29 [.484]		12.70 [.500]	3	641284-3

METRIC

THIS DRAWING IS A CONTROLLED DOCUMENT. DIMENSIONS: mm [INCHES]. TOLERANCES UNLESS OTHERWISE SPECIFIED: 0 PLC ± -, 1 PLC ± -, 2 PLC ± 0.13 [.005], 3 PLC ± -, 4 PLC ± -. ANGLES ± -.

THIS DRAWING IS A CONTROLLED DOCUMENT. DIM: K. SALMON 29OCT91, CHK: R. SWING 29OCT91, APVD: -.

Tyco Electronics Corporation, Harrisburg, PA 17105-3608. Tyco Electronics logo.

PRODUCT SPEC: MTA-156 CARD EDGE CONNECTOR ASSEMBLY, 20 AWG. APPLICATION SPEC: -.

SIZE: A1, CAGE CODE: 00779, DRAWING NO: 641284, WEIGHT: -.

CUSTOMER DRAWING, SCALE: 5:1, SHEET: 1 OF 1, REV: R1.