

THIS DRAWING IS UNPUBLISHED. RELEASED FOR PUBLICATION 2005
 © COPYRIGHT 2005 BY TYCO ELECTRONICS CORPORATION. ALL RIGHTS RESERVED.

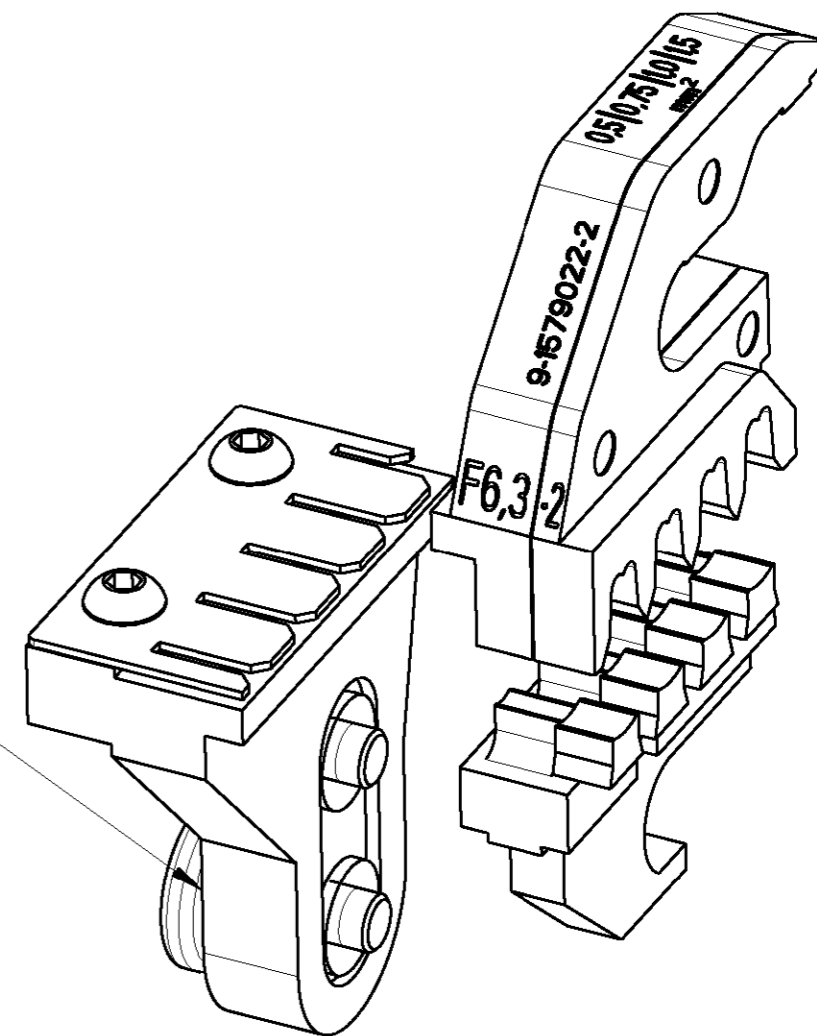
LOC	DIST	REVISIONS			
P	LTR	DESCRIPTION	DATE	DWN	APVD
A1	-				

CERTILOK DIE SET FOR FASTON 6.3 mm - WIRE RANGE 0,5-1,5 mm²
 Certilok-Matrize fuer Faston 6.3 mm - Querschnittsbereich 0,5-1,5 mm²

Matrize in Kombination mit Certilok Basishandzange TE PN 169400 verwenden
 Die set used in combination with Certilok basis hand tool TE PN 169400

Lieferumfang: Matrize mit Kontaktpositionierer TE PN 9-1579013-7 und Bedienungsanleitung 411-18465
 Shipment: Die set with contact locator TE PN 9-1579013-7 and instruction sheet 411-18465

Kontaktpositionierer als Ersatzteil erhaeltlich (Siehe Zeichnung TE PN 9-1579013-7)
 Contact locator available as spare part (see drawing TE PN 9-1579013-7)



Kontakt	DGB (mm ²)	Drahtcrimp / Wire Crimp		Isolationscrimp/Insulationcrimp		Isol.Ø	Betriebsanl.
Contact	Wire Range	Hoehe/Height mm	Breite/Width mm	Hoehe/Height mm	Breite/Width mm	Ins.Range	Instr.Sheet
100684 160506	0.50	1.40 ±0.05	2,29 F	-----	3,55 F	1,4-1,6	411-18465
	0.75	1.48 ±0.05		-----		1,7-1,9	
	1.00	1.56 ±0.05		-----		1,9-2,1	
	1.50	1.72 ±0.05		-----		2,2-2,4	

<small>THIS DRAWING IS A CONTROLLED DOCUMENT FOR TYCO ELECTRONICS CORPORATION IT IS SUBJECT TO CHANGE AND THE CONTROLLING ENGINEERING ORGANIZATION SHOULD BE CONTACTED FOR THE LATEST REVISION.</small>		DWN Ch.Witt	29JUN2007	tyco Electronics tyco Electronics AMP GmbH D - 64625 Bensheim	
DIMENSIONS: mm 		TOLERANCES UNLESS OTHERWISE SPECIFIED: 0 PLC ± 1 PLC ± 2 PLC ± 3 PLC ± 4 PLC ± ANGLES ±°	PRODUCT SPEC - APPLICATION SPEC -	NAME DIE SET FOR FASTON 6.3 (0,5-1,5 mm ²)	
MATERIAL 1.2767	FINISH 48-52 HRC	WEIGHT 90 g	SIZE A3	CAGE CODE 00779	DRAWING NO C-9-1579022-2
CUSTOMER DRAWING			SCALE 2:1	SHEET 1	OF 1
					RESTRICTED TO -
					REV A