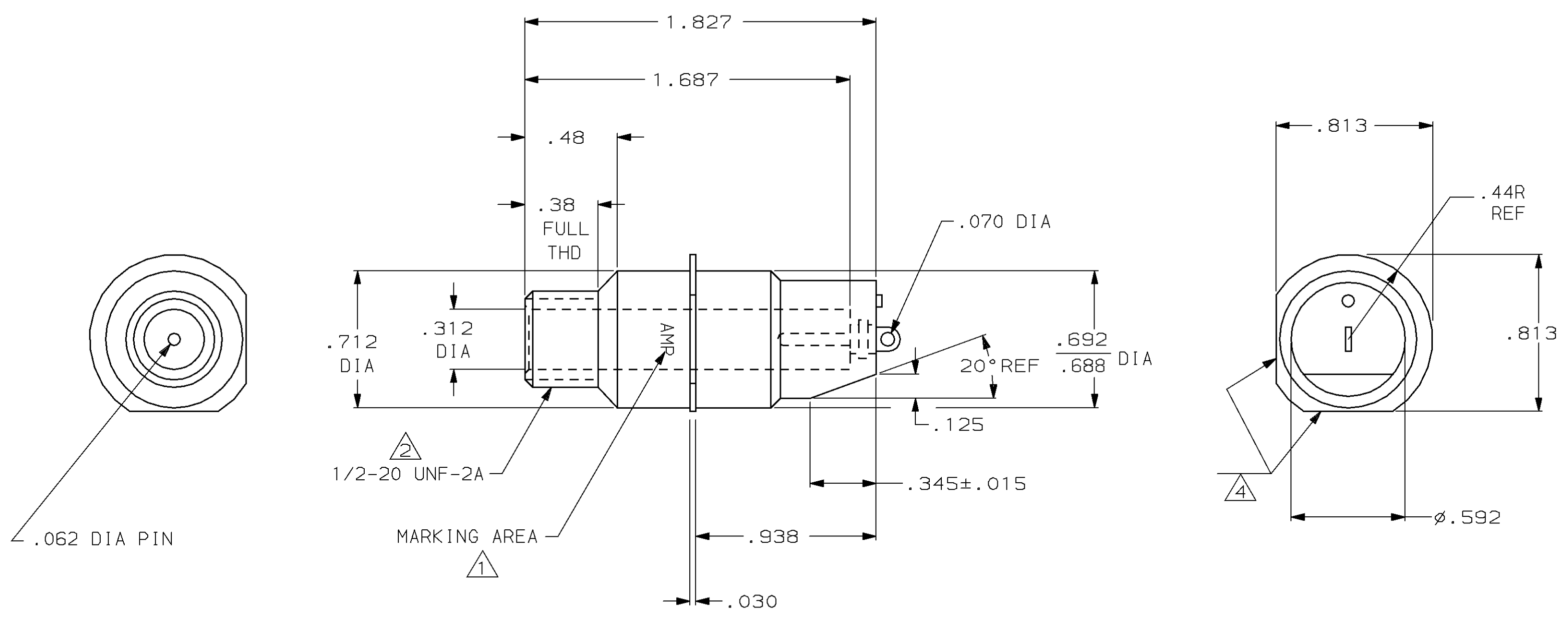


THIS DRAWING IS UNPUBLISHED. RELEASED FOR PUBLICATION, 19
 © COPYRIGHT 19 BY AMP INCORPORATED, HARRISBURG, PA. ALL INTERNATIONAL RIGHTS RESERVED. AMP PRODUCTS MAY BE COVERED BY U.S. AND FOREIGN PATENTS AND/OR PATENTS PENDING.

LOC	DIST	P	F	ZONE	LTR	DESCRIPTION	DATE	APPROVED
DF	50				0	RLSE PR1784	8-86	MG
					A	REV PER 0600-5062-95 CT	2-96	DE



- ① MARKED PER MIL-STD-130.
- ② USING THREE WIRE METHOD; DIMENSION OVER WIRES TO BE .307/.318.
- 3. THIS RECEPTACLE IS HERMETICALLY SEALED.
- ④ EYELET PORTION OF PIN, FLATS ON FLANGE AND BEVEL TO BE ORIENTED AS SHOWN.

868850-1
PART NO

UNLESS OTHERWISE SPECIFIED DIMENSIONS ARE IN INCHES TOLERANCES ON :	DR 8-13-86 R. HEPNER	AMP INCORPORATED Harrisburg, Pa. 17105		
	CHK 8-13-86 M. GARDNER			
MATERIAL	APPD 8-13-86 M. GARDNER	NAME RECEPTACLE, LGH 1L		
	RLSE 8-13-86 R. HEPNER			
FINISH	PRODUCT SPEC	SIZE	FSCM NO	DRAWING NO
	APPLICATION SPEC	C	00779	868850
	WEIGHT	SCALE	2:1	SHEET 1 OF 1