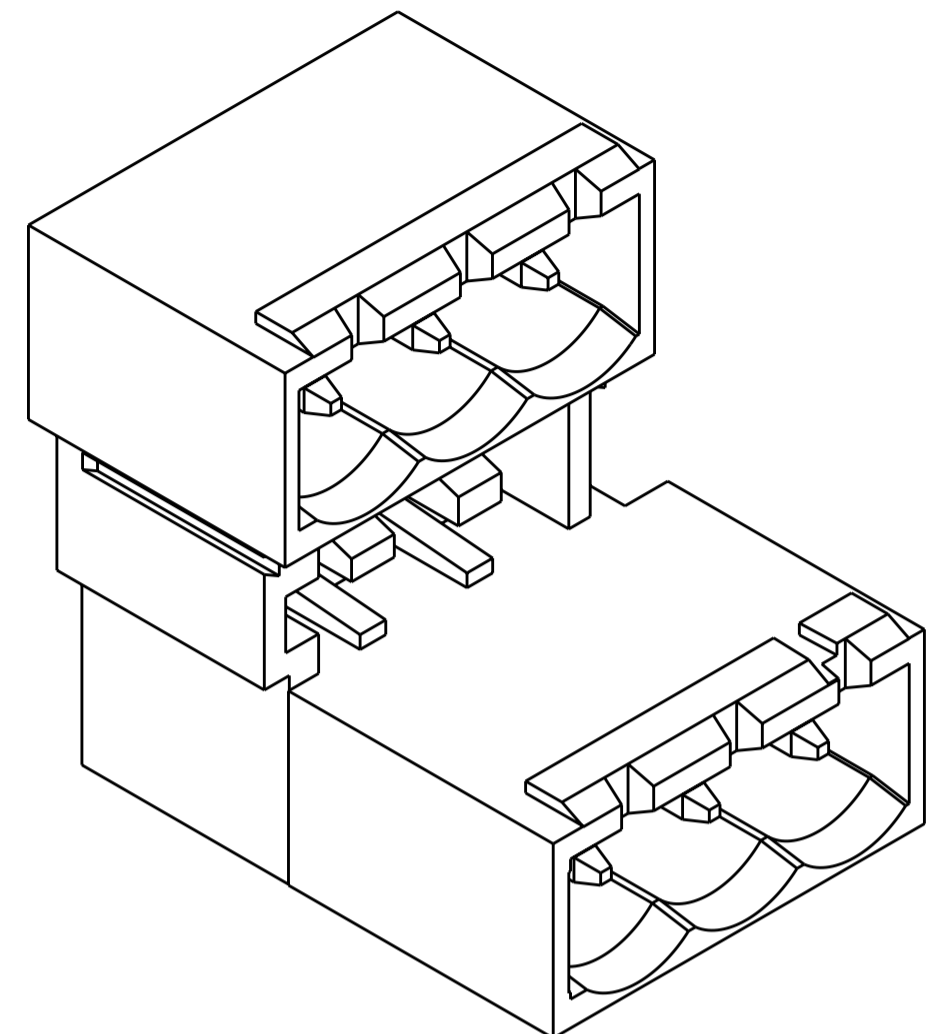
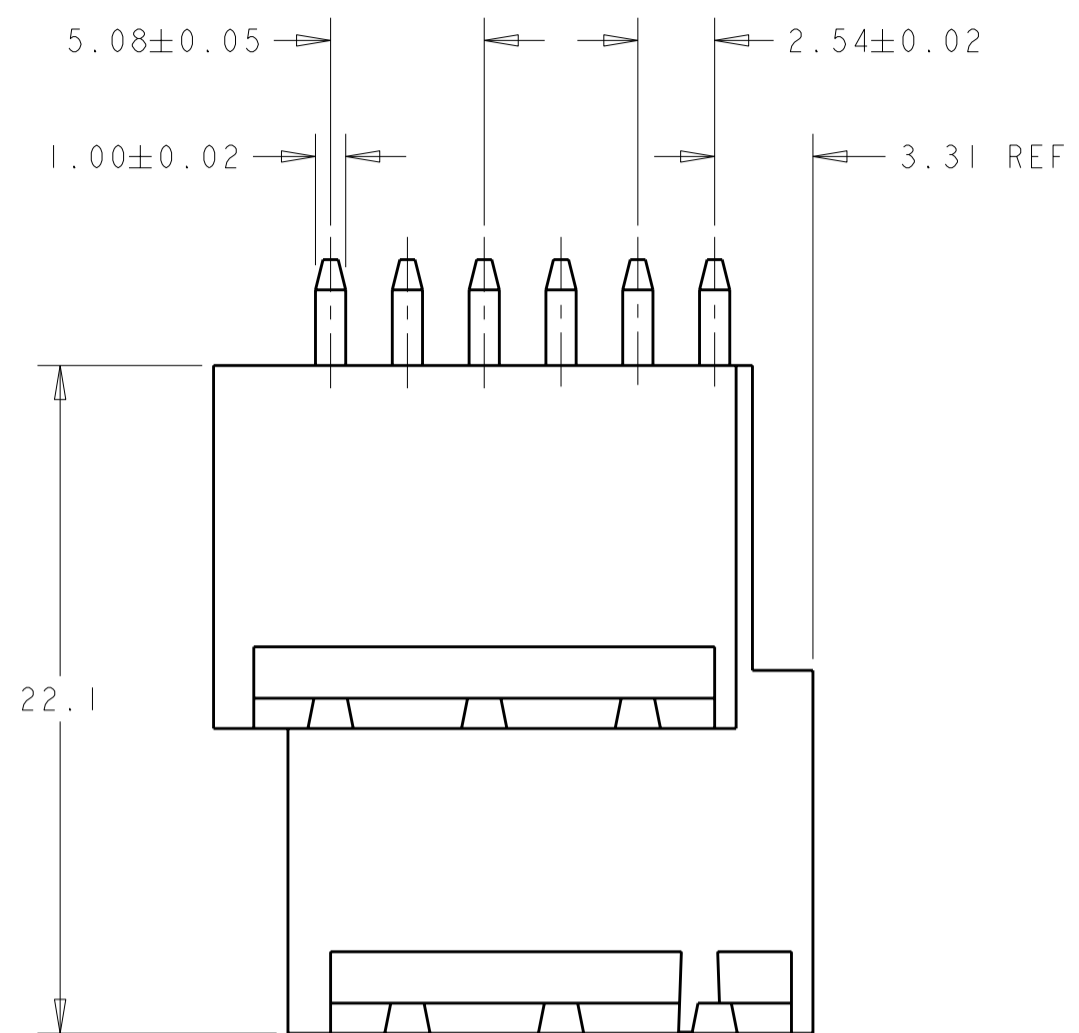


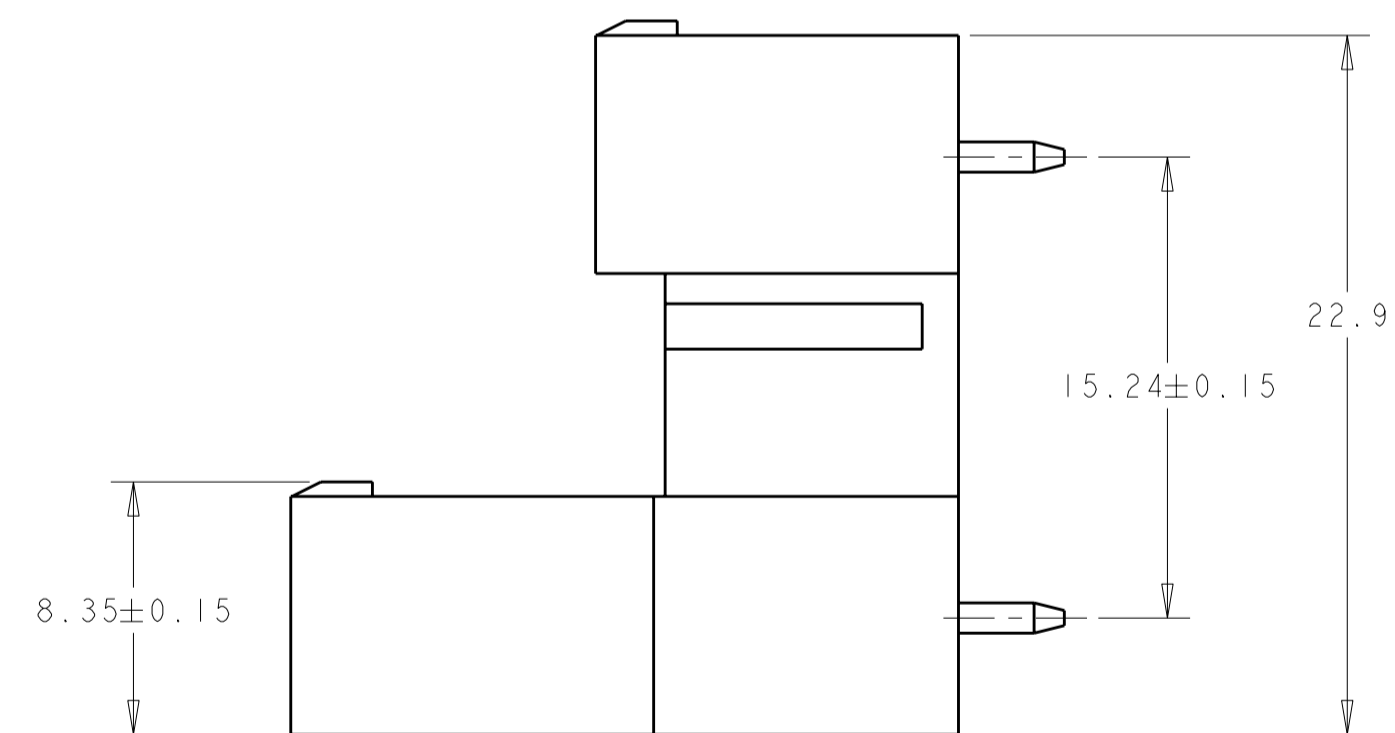
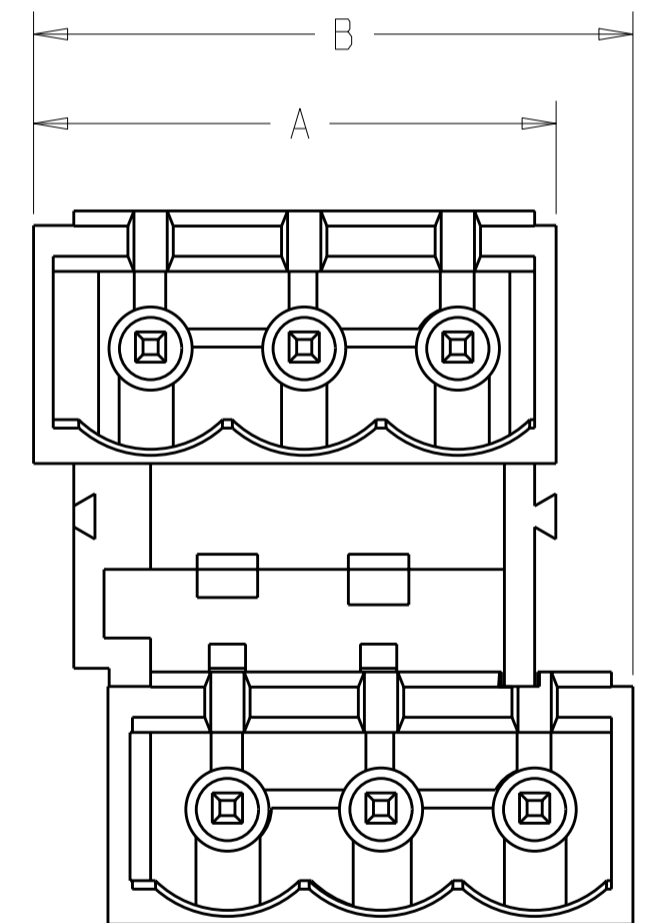
THIS DRAWING IS UNPUBLISHED. RELEASED FOR PUBLICATION 20
 © COPYRIGHT 20 BY - ALL RIGHTS RESERVED.

LOC		DIST		REVISIONS			
P	LTR	DESCRIPTION	DATE	DWN	APVD		
	01	REVISED PER ECO-12-007714	25APR2012	KH	MS		

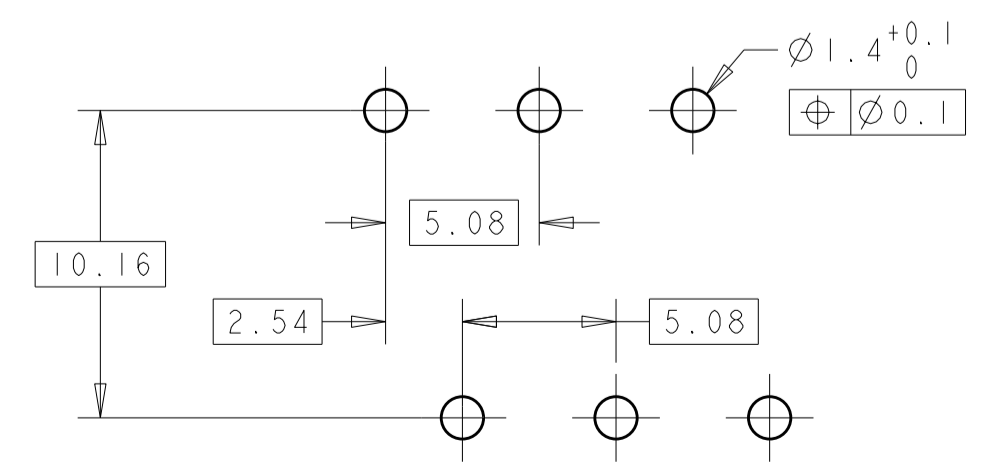


1776165-3 AS SHOWN

1. MATERIALS AND FINISH
 HOUSING: HIGH TEMPERATURE POLYAMIDE, UL 94V-0 RATED, COLOR: BLACK.
 TERMINAL: COPPER ALLOY, TIN PLATED.
2. SUITABLE FOR 1,6-2,4mm PC BOARD THICKNESS.
3. P/N FROM 1776165-4 TO 1776165-8 ARE OBTAINED BY ASSEMBLING 1776165-2 AND 1776165-3 TO ACHIEVE THE DESIRED NUMBER OF POSITIONS.



45.22	42.68	8	1776165-8
40.14	37.60	7	1776165-7
35.06	32.52	6	1776165-6
29.98	27.44	5	1776165-5
24.90	22.36	4	1776165-4
19.82	17.28	3	1776165-3
14.74	12.20	2	1776165-2
B	A	NO OF POSN	PART NUMBER



RECOMMENDED PC BOARD LAYOUT

THIS DRAWING IS A CONTROLLED DOCUMENT.

DIMENSIONS:	TOLERANCES UNLESS OTHERWISE SPECIFIED:	DWN	01AUG2005
mm	0 PLC ±.3	CHK	01AUG2005
	1 PLC ±.25	APVD	01AUG2005
	2 PLC ±.	PRODUCT SPEC	
	3 PLC ±.	APPLICATION SPEC	
	4 PLC ±.	WEIGHT	
MATERIAL	ANGLES ±2	CUSTOMER DRAWING	SCALE 4:1
	FINISH		SHEET OF REV 01

NAME: **STE** TE Connectivity
 TERMINAL BLOCK HEADER ASSEMBLY, MULTIPLE, 180 DEGREE, CLOSED ENDS, 5.08mm PITCH

SIZE: A2 CAGE CODE: 00779 DRAWING NO: 1776165 RESTRICTED TO: -