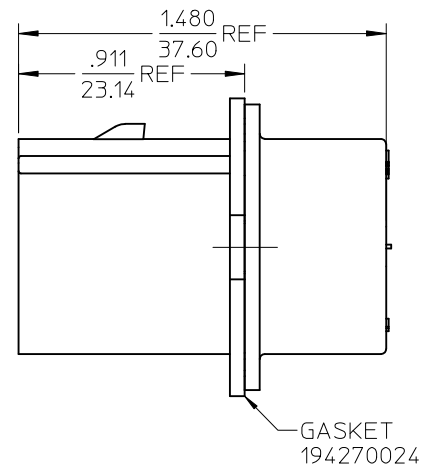
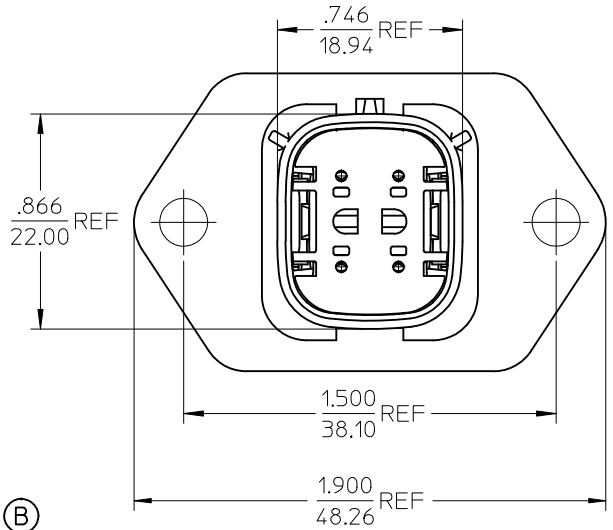
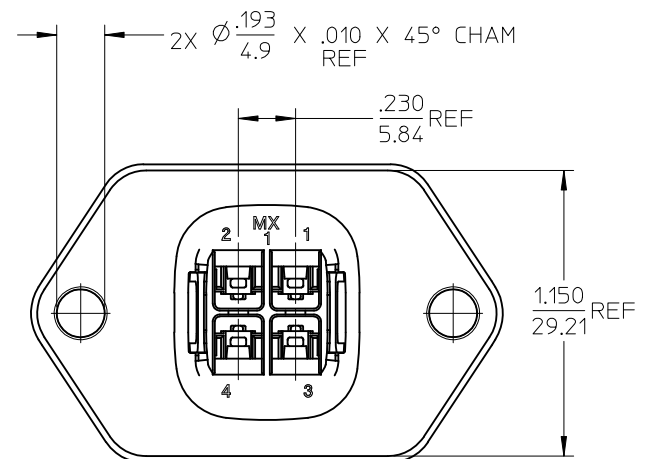


ASSEMBLED VIEW
SCALE 1:1

RECOMMENDED PANEL
MOUNT OPENING
MAX PANEL THK .080/2.03



194290043	YES
194290025	NO
MATERIAL NUMBER	GASKET

- NOTES:
 1. MATERIALS:
 HOUSING: POLYESTER (PBT), GLASS FILLED, UL94 V-0,COLOR: BLACK
 GASKET: EPDM RUBBER
 2. PRODUCT SPECIFICATION: PS-19417-001.
 3. PACKAGING SPECIFICATION: PK-19429-001.
 GASKETS, IF REQUIRED FOR THE ASSEMBLIES,ARE BULK PACKAGED IN A SEPARATE BAG.
 4. MATES WITH: 19418 SERIES RECEPTACLE ASSEMBLIES.
 5. USE CONNECTOR WITH MALE CRIMP TERMINAL: SERIES 19417.
 6. RECOMMENDED MOUNTING HARDWARE: (2)#10 X .62/15.8 LONG
 PLASTIC THREAD CUTTING SCREWS, RECOMMENDED TORQUE 15-17 IN-LBS.
 SUGGESTED SOURCE: ITW SHAKEPROOF INDUSTRIAL BOSSCREW OR EQUIVALENT.
 7. ASSEMBLY IS ROHS COMPLIANT.

REVISE NOTES EC NO: IPG2012-0161 DRWN:WLEUNG 2012/02/10 CHKD: APPR:DTITUS 2012/02/28	QUALITY SYMBOLS	GENERAL TOLERANCES (UNLESS SPECIFIED)	SCALE 2:1	DESIGN UNITS INCH
	-0	4 PLACES ± --- ± ---	DIMENSION STYLE IN/MM	
		3 PLACES ± --- ± .015	DRAWN BY DMYRICK	DATE 07/19/04
	C/-0	2 PLACES ± 0.38 ± ---	CHECKED BY JPAWLICK	DATE 07/19/04
1 PLACE ± --- ± ---		APPROVED BY RDEROSS	DATE 07/19/04	
ANGULAR ± 1°		THIS DRAWING CONTAINS INFORMATION THAT IS PROPRIETARY TO MOLEX INCORPORATED AND SHOULD NOT BE USED WITHOUT WRITTEN PERMISSION		
DRAFT WHERE APPLICABLE				
MUST REMAIN WITHIN DIMENSIONS				

THIRD ANGLE PROJECTION
 REVISE ON CAD ONLY
 TITLE
4 WAY PLUG PANEL MOUNT ASSEMBLY W/O BOSS 22-14 AWG

MOLEX INCORPORATED
 MATERIAL NO. SEE CHART
 DOCUMENT NO. SD-19429-011
 SHEET NO. 1 OF 1