

1

2

3

4

5

6

7

A

A

B

B

C

C

D

D

E

E

F

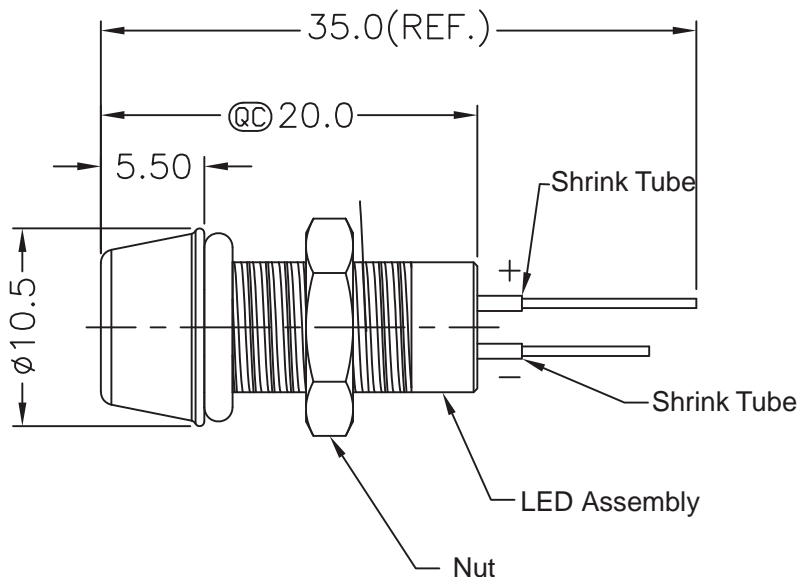
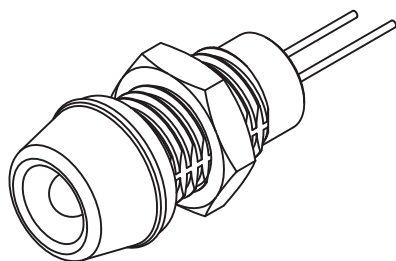
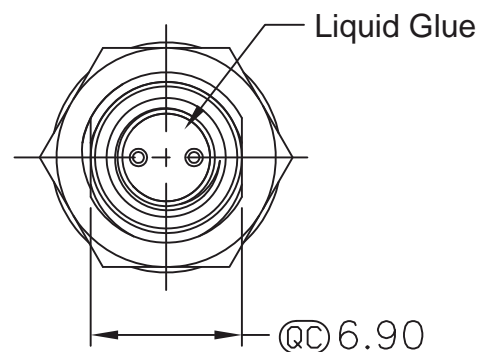
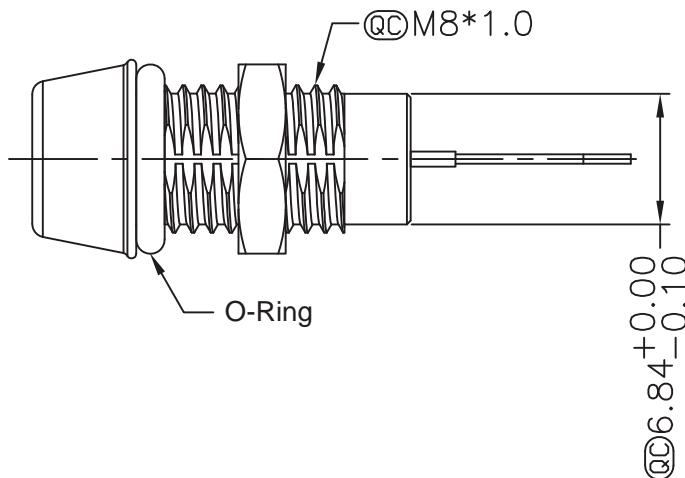
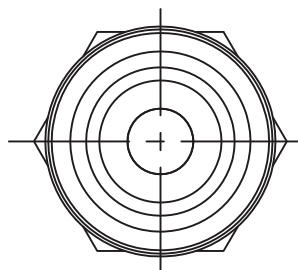
F

G

G

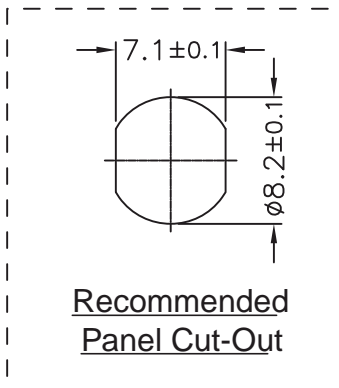
H

H



**Material:**

- Waterproof Rate: IP67
- LED Holder: Brass, Nickel plating
- LED: ø3mm, Blue
- Gasket: EPDM, Black
- Screw Nut: Brass, Nickel plating
- Operating voltage: 4V DC
- Operating Temperature: -40°C~+80°C
- For Panel Thickness 6.5mm Max.



QC Quality Control: Important Dimension to check

Unit: mm



Scale	Free						Date	Name	Title <b>Waterproof LED</b> Blue color, metal, Ø3.0mm
TOLERANCE						Drawn	05.03.14	Wilson	
X.	±0.3					Approved	05.03.14	Groll	ASSMANN WSW-No. <b>A-LED8-1BAAS-MR7-1</b>
X.X	±X								Drawing-No. <b>ASS 6225 CO</b>
X.XX	±X								rev00
DIM	TOL								Replace
X.°	±X°								Sheet
X.X°	±X°								1/1
Angle	TOL	Id.	Modification	Date	Name				



1840 W. Drake Drive, Suite 101 • Tempe, AZ 85283  
Toll Free: 1-877-277-6266 • Email: info@assmann.us

1

2

3

4

5

6

7