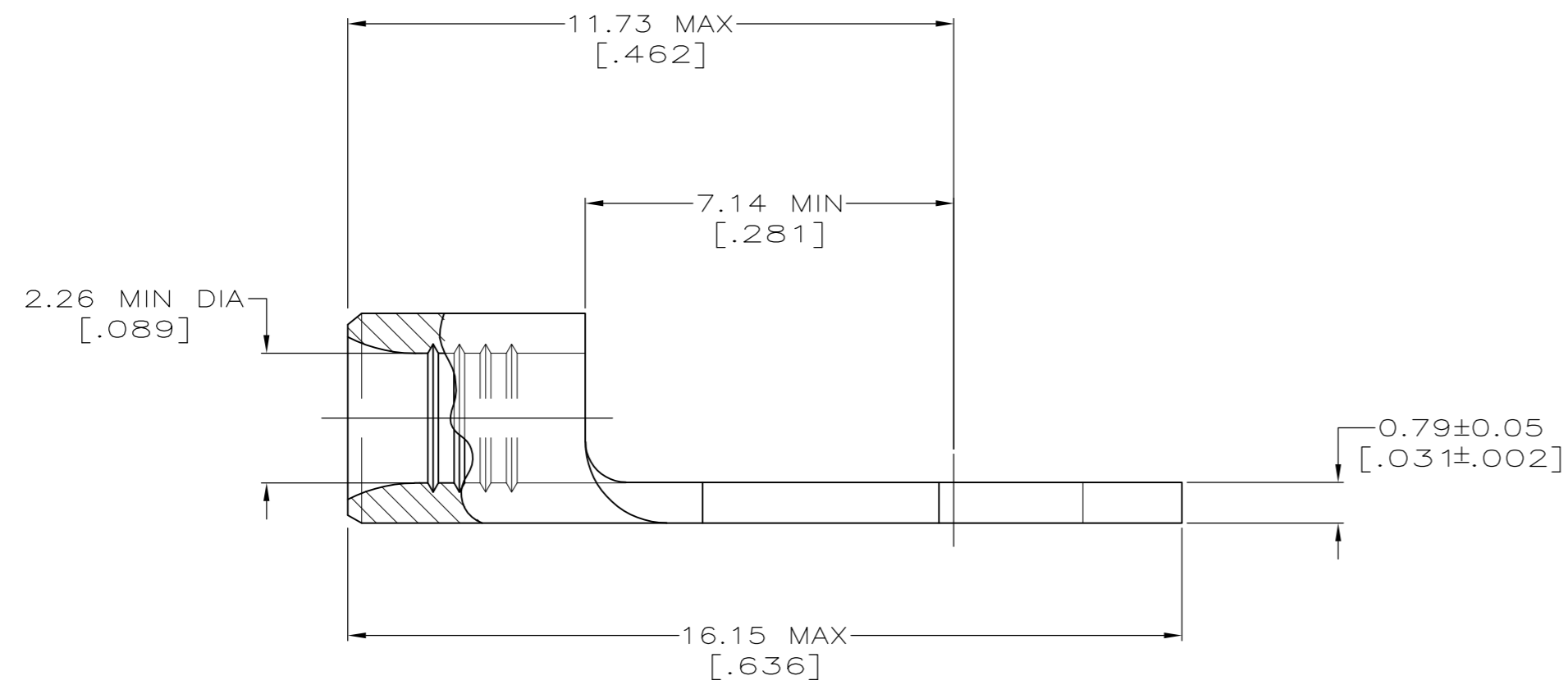
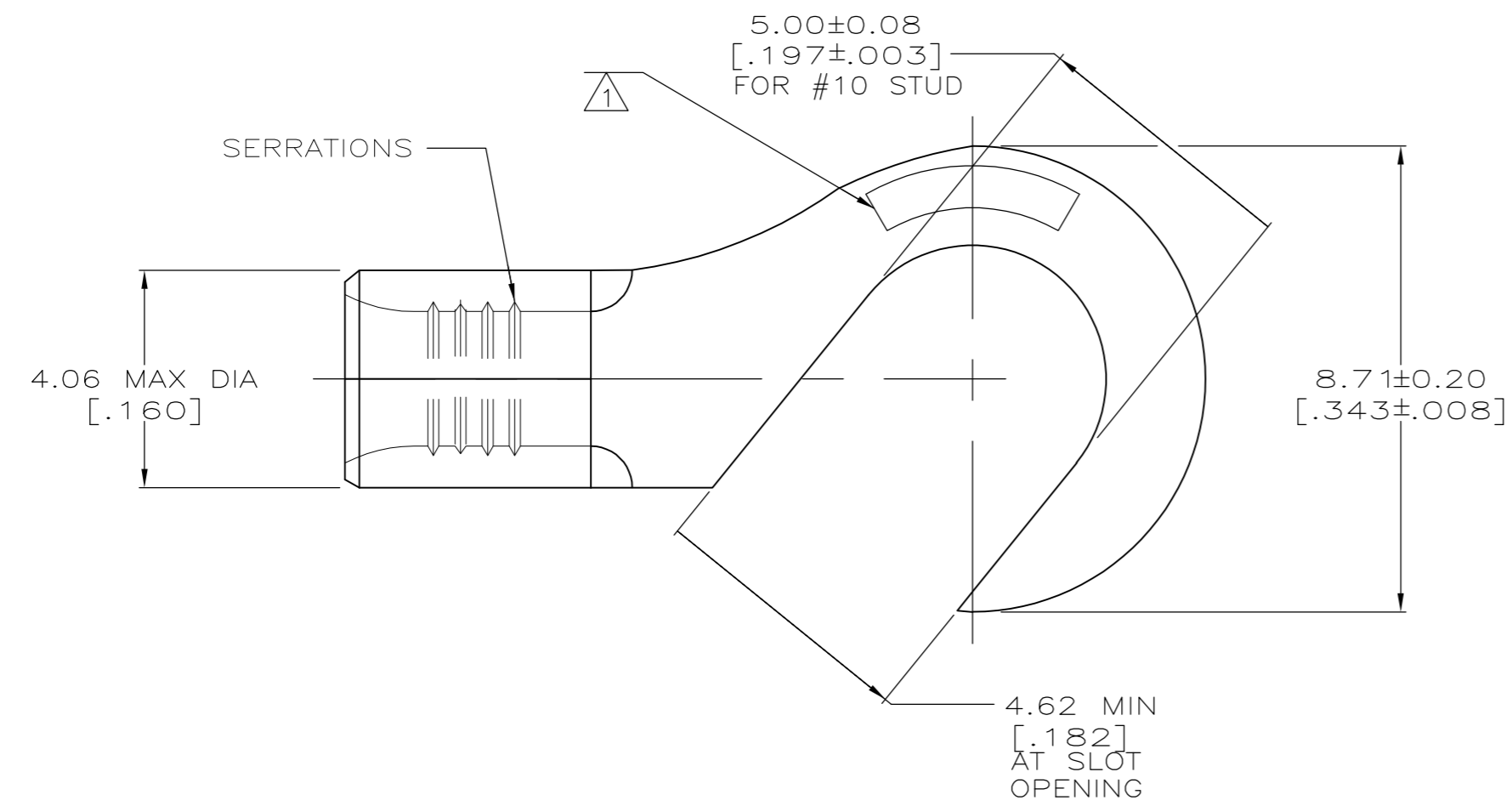


THIS DRAWING IS UNPUBLISHED. RELEASED FOR PUBLICATION
 © COPYRIGHT BY TYCO ELECTRONICS CORPORATION. ALL INTERNATIONAL RIGHTS RESERVED.

LOC		DIST		REVISIONS					
G		14		P	LTR	DESCRIPTION	DATE	DWN	APVD
				B		REV PER ECR-10-007996	19APRIL2010	RG	TM



AMP WIRE RANGE	E13288 Listed
16-14 AWG STRANDED	16-14 AWG STRANDED

- 1 STAMP AMP 16-1, APPROX. AS SHOWN
- 2. RECOMMENDED OPERATING TEMPERATURE: 170°C MAX
- 3. WIRE CROSS SECTIONAL AREA RANGE: 1.04-2.62mm² [2,050-5,180 CIRCULAR MIL AREA] STRANDED
- 4 MATERIAL: COPPER PER ASTM B-152 ANNEALED
- 5 FINISH: TIN PLATE 0.00254 [.000100] MIN THK PER ASTM-B545

1000	LOOSE PIECE	33437
QTY	PACKAGE TYPE	PART NO.

THIS DRAWING IS A CONTROLLED DOCUMENT.		DWN R.GRZYBOWSKI 19APR2010	Tyco Electronics Corporation Harrisburg, PA 17105-3608	
DIMENSIONS: mm		CHK T.MICHIELUTI 19APRIL2010	NAME TERMINAL, HOOK TONGUE BUDGET	
TOLERANCES UNLESS OTHERWISE SPECIFIED:		APVD M.PERCHERKE 19APRIL2010	DRAWING NO A2 00779 C=33437	
0 PLC ± -		PRODUCT SPEC	RESTRICTED TO	
1 PLC ± -		APPLICATION SPEC	-	
2 PLC ± -		WEIGHT	-	
3 PLC ± -		CUSTOMER DRAWING	SCALE 1:1 SHEET 1 OF 1 REV B	
4 PLC ± -				
4 ANGLES ± -				
FINISH				
4				
5				