

4

3

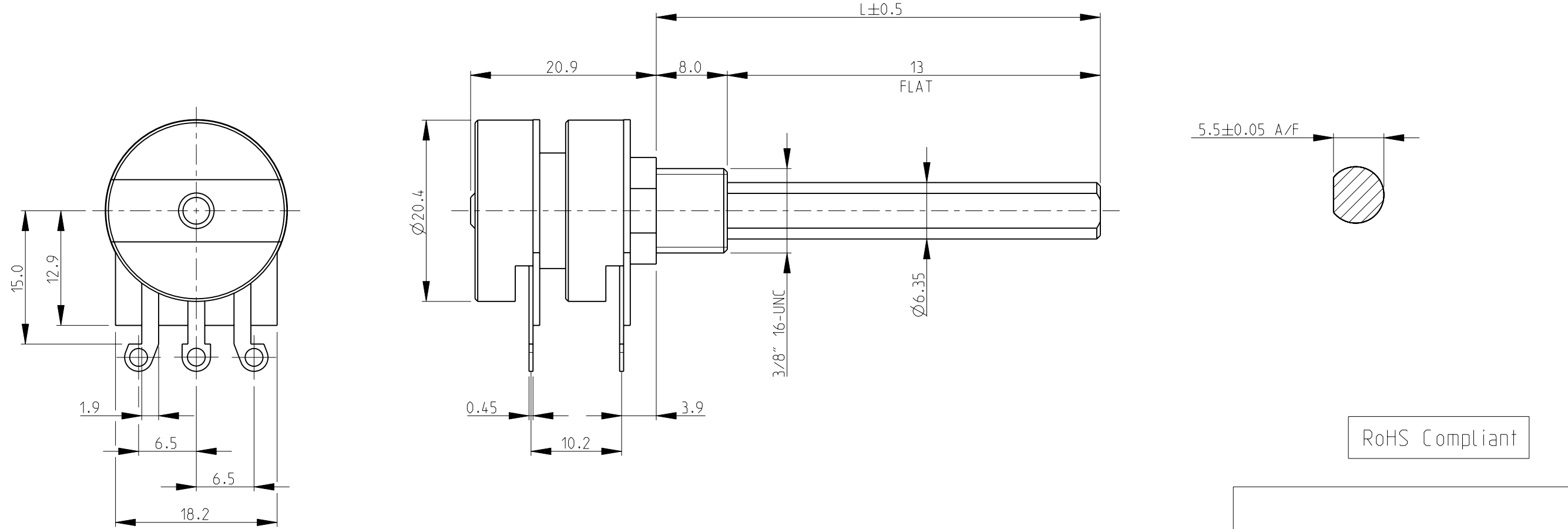
2

1

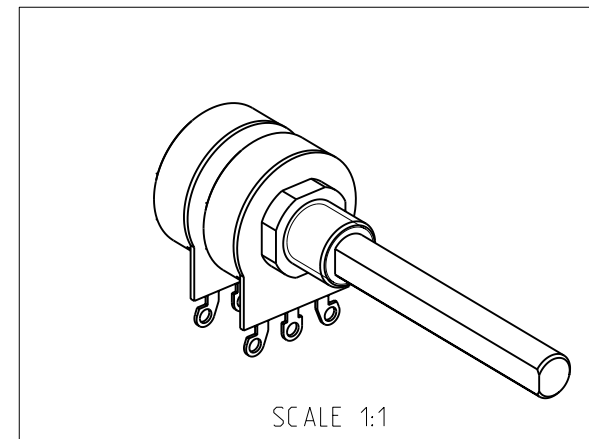
THIS DRAWING IS UNPUBLISHED. RELEASED FOR PUBLICATION 2008
 © COPYRIGHT 2008 BY TYCO ELECTRONICS CORPORATION. ALL RIGHTS RESERVED.

LOC	DIST	REVISIONS			
P	LTR	DESCRIPTION	DATE	DWN	APVD
E	B	BA	NEW RELEASE	30-Jul-08	SM St.P

1 AVAILABLE IN DIFFERENT SHAFT LENGTHS (L) SEE DATA SHEET
 2 FOR FURTHER INFORMATION SEE DATA SHEET FOR 23 SERIES-SPINDLE OPERATED POTENTIOMETER



RoHS Compliant



THIS DRAWING IS A CONTROLLED DOCUMENT FOR TYCO ELECTRONICS CORPORATION IT IS SUBJECT TO CHANGE AND THE CONTROLLING ENGINEERING ORGANIZATION SHOULD BE CONTACTED FOR THE LATEST REVISION.		DWN	SUBHASH.M	30-Jul-08	Tyco Electronics Corporation Dorcan, Swindon, SN3 5HH
DIMENSIONS: mm		CHK	PRAKASH.S	30-Jul-08	
		APVD	STEPHEN.P	30-Jul-08	
TOLERANCES UNLESS OTHERWISE SPECIFIED:		PRODUCT SPEC		NAME	
0 PLC ± 0.5 1 PLC ± 0.2 2 PLC ± 0.1 3 PLC \pm 4 PLC \pm ANGLES $\pm 5^\circ$		APPLICATION SPEC		SPINDLE OPERATED POTENTIOMETER SERIES 23 (DUAL GANG STYLE)	
MATERIAL -		WEIGHT -		SIZE	RESTRICTED TO
FINISH -		CUSTOMER DRAWING		A3	-
				CAGE CODE	SCALE
				00779	2:1
				DRAWING NO	SHEET
				1624186	1 OF 1
				REV	BA