
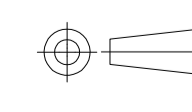


SEE RESTRICTED DRAWING 2032237-VOL

THIS DRAWING IS UNPUBLISHED. RELEASED FOR PUBLICATION
 © COPYRIGHT - By - ALL RIGHTS RESERVED.

LOC	DIST	REVISIONS			
REV	BY	DESCRIPTION	DATE	DWN	APVD
GP	00				
J		REVISED PER ECO-11-020025	10/OCT/11	ECC	CA

THIS DRAWING IS A CONTROLLED DOCUMENT.		DIN	T. SMITH	17OCT2007	 TE Connectivity
DIMENSIONS: mm		CHK	D. LAWRENCE	17OCT2007	
		TOLERANCES UNLESS OTHERWISE SPECIFIED:		APVD	D. LAWRENCE
0. PLC ± -		1. PLC ± -		NAME	
2. PLC ± -		3. PLC ± -		CABLE ASSY, 24 AWG, SFP+ TO SFP+	
4. PLC ± -		ANGLES ± -		PRODUCT SPEC	
MATERIAL		FINISH		APPLICATION SPEC	
		WEIGHT		SIZE	
				A1 00779 C=2032237	
		CUSTOMER DRAWING		SCALE 1:1 SHEET 1 OF 1 REV J	