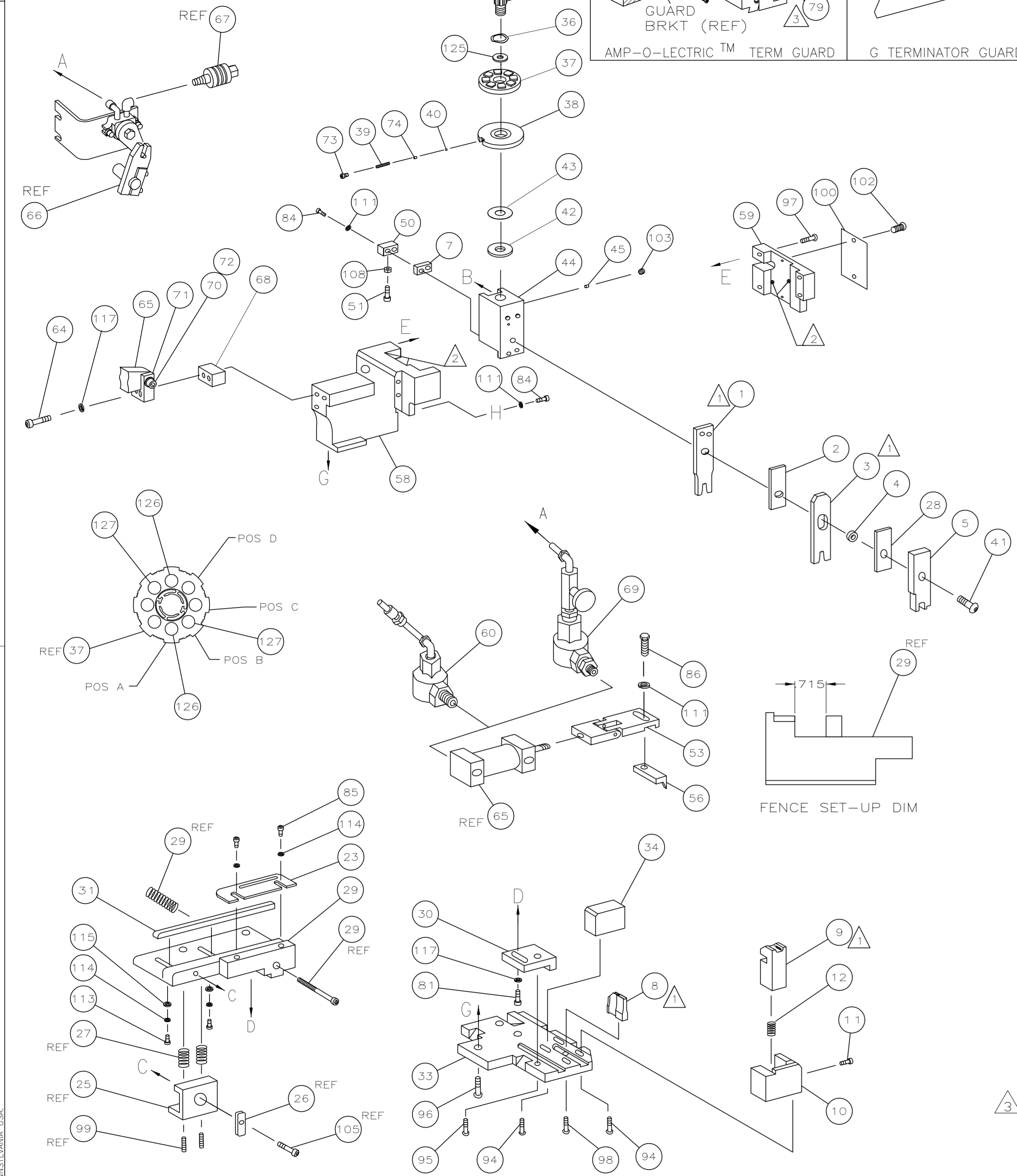


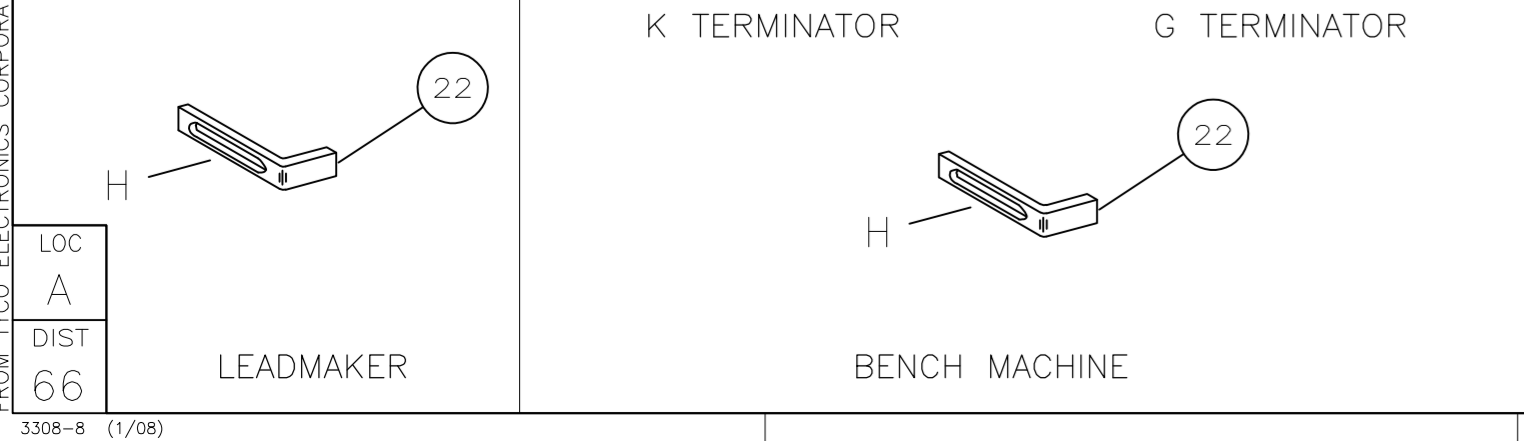
PART NUMBER	REV	FIRST USED
1385754 -1	B	122500-1
1385754 -2	B	565435-5
1385754 -3	B	354500-1

THIS DRAWING IS A CONTROLLED DOCUMENT.

THIS INFORMATION IS CONFIDENTIAL AND PROPRIETARY TO TYCO ELECTRONICS CORPORATION AND ITS WORLDWIDE SUBSIDIARIES AND AFFILIATES. IT MAY NOT BE DISCLOSED TO ANY OTHER PARTY WITHOUT THE WRITTEN AUTHORIZATION OF TYCO ELECTRONICS CORPORATION, HARRISBURG, PENNSYLVANIA, USA.



- 1 RECOMMENDED SPARE PARTS.
- 2 GREASE LIGHTLY.
- 3 GUARD MUST BE IN PLACE WHEN OPERATING APPLICATOR IN A BENCH MACHINE.
- 4 SEE DRAWING FOR COMPONENTS



MACHINE FRAME (REF)		RAM RETAINING PLATE (REF)		MACHINE GUARD (REF)	
AMP-0-LECTRIC™ TERM GUARD		G TERMINATOR GUARD			

TERMINAL NAME: FEMALE DUCON 9.5 TERMINAL					
AMP TERM PN	MFR TERM PN	DELPHI TERMINAL		CUSTOMER CRIMP SPECS	
1572433	10724458	PAD LTR	CRIMP HEIGHT	WIRE SIZE	
		A	.111 ±.002 [2.82 ±0.05mm]	(1)4mm ² & (1)1.5mm ²	
		B	.103 ±.002 [2.62 ±0.05mm]	(1)2.5mm ² & (1)1.5mm ²	
		C	NOT	USED	
		D	NOT	USED	
		CRIMP	SIZE	TYPE	
		WIRE	.165 [4.19mm]	F	
		INSUL	.210 [5.33mm]	OV	
WIRE STRIP LENGTH .219-.250		TERM APPL SPEC NONE	FEED 1.180	APPL INSTRUCTION 408-8040	SET UP GAGE LAYOUT 458637-1 L2976

2	2	2	-	4-354778-6	PIN, WIRE DISC (.2725)B	127
2	2	2	-	2-354778-9	PIN, WIRE DISC (.2640)A	126
1	1	1	-	986950-1	WASHER, FLAT PRECISION	125
1	1	1	-	217238-1	GENERAL INSTRUCTION PACKAGE	124
1	1	1	-	4088040	SF APPL INST 408-8040	123
						122
						121
						120
						119
						118
3	3	3	-	21024-5	WASHER, LOCK(#10)ADJ BLOCK	117
						116
2	2	2	-	21055-4	WASHER,FLAT(#4)FENCE	115
4	4	4	-	21024-2	WASHER,LOCK(#4)FRONT STP GUIDE	114
2	2	2	-	1-21002-4	SCR,BHC(4-40x.38)FENCE	113
						112
4	4	4	-	21024-4	WASHER,LOCK(#8)STRIPPER	111
						110
						109
1	1	1	-	21018-5	NUT,HEX(NO.6)HOLDDOWN	108
						107
						106
REF	REF	REF	-	21989-8	SCR,SHLD(Ø.187x.25)DRAG LEVER	105
						104
1	1	1	-	21009-2	SCR,SKT SET(1/4-20x.25 LW)RAM	103
2	2	2	-	21017-2	SCR,DRIVE(#2x.19)ID PLATE	102
						101
1	1	1	-	461264-1	PLATE, IDENTIFICATION	100
REF	REF	REF	-	5-21006-6	SCR,SET(10-32x.75)DRAG	99
1	1	1	-	22733-8	SCR,BHC(8-32x.38 LW)ANVIL	98
4	4	4	-	2-21002-9	SCR,BHC(10-32x.75)CAP	97
3	3	3	-	2-22733-8	SCR,BHC(1/4-20x.62)HSG	96
1	1	1	-	2-21002-7	SCR,BHC(10-32x.50)SG ADJ BLK	95
4	4	4	-	2-21002-2	SCR,BHC(8-32x.50)TERM H DWN	94
2	2	2	-	2-21002-3	SCR,BHC(8-32x.62)R STP GDE	93
						92
						91
						90
						89
						88
						87
1	1	1	-	2-22603-1	SCR,HEX HD(8-32x.38)FEED FINGER	86
2	2	2	-	1-21000-6	SCR,SHC(4-40x.62)FR ST GUIDE	85
3	3	3	-	2-21000-7	SCR,SHC(8-32x.50)STRIPPER	84
						83
						82
1	1	1	-	7-21000-6	SCR,SHC(10-32x.31)SG ADJ BL	81
						80
-	1	-	-	462992-7	GUARD ASSY	79
REF	-	-	-	679532-1	INSERT, GUARD	78
						77
						76
						75
1	1	1	-	690603-1	SPRING, ASSIST	74
1	1	1	-	23030-1	SCR,SHC(6-32x.25 SL)INS DISC	73
1	1	1	-	3-21001-5	SCR,SHC(3/8x1.00)FEED MT	72
1	1	1	-	459610-3	MOUNT, FEED BRACKET	71
						70
						69
						68
						67
						66
						65
						64
						63
						62
						61
1	-	1	-	692655-7	AIR FEED VALVE ASSY	60
1	1	1	-	454220-1	CAP, RAM	59
1	1	1	-	454485-1	HOUSING	58
						57
1	1	1	-	458537-2	PAWL, FEED	56
						55
						54
1	1	1	-	461062-1	FEED FINGER ASSY	53
						52
1	1	1	-	811242-2	BUMPER, HOLDDOWN	51
1	1	1	-	690753-1	SPACER, TONKER	50
						49
						48
						47
						46
1	1	1	-	690191-1	PLUG, NYLON	45
1	1	1	-	819307-7	RAM	44
1	1	1	-	690125-1	WASHER, LAMINATED	43
1	1	1	-	690124-3	WASHER, RAM	42
1	1	1	-	7-21002-9	BOLT, CRIMPER(5/16x1.00)	41
1	1	1	-	23241-6	BALL, STEEL	40
1	1	1	-	690170-1	SPRING, COMPRESSION	39
1	1	1	-	1-690142-1	DISC, INSULATION	38
1	1	1	-	354777-1	DISC, WIRE	37
1	1	1	-	22480-5	WASHER, SPRING	36
1	1	1	-	690212-1	POST, RAM	35
1	1	1	-	1-690786-2	SUPPORT, TERMINAL	34
1	1	1	-	455675-1	PLATE, BASE	33
						32
1	1	1	-	189807-5	FENCE	31
1	1	1	-	455689-1	BLOCK, STRIP GUIDE ADJ	30
1	1	1	-	1633091-6	STRIP GUIDE PLATE ASSY	29
1	1	1	-	455888-8	SPACER, FRONT SHEAR DEP	28
REF	REF	REF	-	1-22284-0	SPRING, DRAG	27
REF	REF	REF	-	356835-1	LEVER, DRAG RELEASE	26
REF	REF	REF	-	240792-1	DRAG, TERMINAL	25
						24
1	1	1	-	2-679651-1	GUIDE, STRIP (FRONT)	23
1	1	1	-	690472-1	STRIPPER	22
						21
						20
						19
						18
						17
						16
						15
						14
						13
1	1	1	-	3-22280-3	SPRING, SHEAR	12
1	1	1	-	1-690461-7	STOP, SHEAR	11
1	1	1	-	679625-1	HOLDER, SHEAR (FRONT)	10
1	1	1	-	454276-8	SHEAR, FLOAT (FRONT)	9
1	1	1	-	8-662520-7	ANVIL	8
1	1	1	-	5-240641-9	SPACER, DEPRESSOR (REAR)	7
						6
1	1	1	-	4-455889-5	DEPRESSOR, SHEAR (FRONT)	5
1	1	1	-	238011-2	SPACER, BLOCK CRIMPER	4
1	1	1	-	805783-2	CRIMPER, INSULATION	3
1	1	1	-	2-455888-3	SPACER, CRIMPER	2
1	1	1	-	5-1490019-9	CRIMPER, WIRE	1

QTY REQD PER ASSY	PART NO	DESCRIPTION	ITEM NO
-------------------	---------	-------------	---------

-1	LEADMAKER	MECH POST FEED
-2	BENCH MODEL K	MECH PRE FEED
-3	BENCH MODEL G	MECH PRE FEED

QTY REQD PER ASSY	PART NO	DESCRIPTION	ITEM NO			
1	1	1	-	21024-8	WASHER,LOCK(3/8)FEED BRKT	70
-	1	-	-	692655-5	AIR FEED VALVE ASSY	69
1	1	1	-	461690-3	SPACER, AIR FEED	68
-	REF	-	-	24042-2	VALVE, SHUT OFF	67
-	REF	-	-	692655-6	AIR FEED VALVE ASSY	66
1	1	1	-	461065-2	AIR FEED ASSY (2 INCH)	65
2	2	2	-	4-21000-2	SCR,SHC(10-32x1.75)AIR ASSY	64
						63
						62
						61
1	-	1	-	692655-7	AIR FEED VALVE ASSY	60
1	1	1	-	454220-1	CAP, RAM	59
1	1	1	-	454485-1	HOUSING	58
						57
1	1	1	-	458537-2	PAWL, FEED	56
						55
						54
1	1	1	-	461062-1	FEED FINGER ASSY	53
						52
1	1	1	-	811242-2	BUMPER, HOLDDOWN	51
1	1	1	-	690753-1	SPACER, TONKER	50
						49
						48
						47
						46
1	1	1	-	690191-1	PLUG, NYLON	45
1	1	1	-	819307-7	RAM	44
1	1	1	-	690125-1	WASHER, LAMINATED	43
1	1	1	-	690124-3	WASHER, RAM	42
1	1	1	-	7-21002-9	BOLT, CRIMPER(5/16x1.00)	41
1	1	1	-	23241-6	BALL, STEEL	40
1	1	1	-	690170-1	SPRING, COMPRESSION	39
1	1	1	-	1-690142-1	DISC, INSULATION	38
1	1	1	-	354777-1	DISC, WIRE	37
1	1	1	-	22480-5	WASHER, SPRING	36
1	1	1	-	690212-1	POST, RAM	35
1	1	1	-	1-690786-2	SUPPORT, TERMINAL	34
1	1	1	-	455675-1	PLATE, BASE	33
						32
1	1	1	-	189807-5	FENCE	31
1	1	1	-	455689-1	BLOCK, STRIP GUIDE ADJ	30
1	1	1	-	1633091-6	STRIP GUIDE PLATE ASSY	29
1	1	1	-	455888-8	SPACER, FRONT SHEAR DEP	28
REF	REF	REF	-	1-22284-0	SPRING, DRAG	27
REF	REF	REF	-	356835-1	LEVER, DRAG RELEASE	26
REF	REF	REF	-	240792-1	DRAG, TERMINAL	25
						24
1	1	1	-	2-679651-1	GUIDE, STRIP (FRONT)	23
1	1	1	-	690472-1	STRIPPER	22
						21
						20
						19
						18
						17
						16
						15
						14
						13
1	1	1	-	3-22280-3	SPRING, SHEAR	12
1	1	1	-	1-690461-7	STOP, SHEAR	11
1	1	1	-	679625-1	HOLDER, SHEAR (FRONT)	10
1	1	1	-	454276-8	SHEAR, FLOAT (FRONT)	9
1	1	1	-	8-662520-7	ANVIL	8
1	1	1	-	5-240641-9	SPACER, DEPRESSOR (REAR)	7
						6
1	1	1	-	4-455889-5	DEPRESSOR, SHEAR (FRONT)	5
1	1	1	-	238011-2	SPACER, BLOCK CRIMPER	4
1	1	1	-	805783-2	CRIMPER, INSULATION	3
1	1	1	-	2-455888-3	SPACER, CRIMPER	2
1	1	1	-	5-1490019-9	CRIMPER, WIRE	1

DIMENSIONS: INCHES		TOLERANCES UNLESS OTHERWISE SPECIFIED:	
Ø	PLC	±	
1	PLC	±	
2	PLC	±	.02
3	PLC	±	
4	PLC	±	
ANGLES: °		SURFACE TEXTURE: ✓	

DNW	R.O.WILSON	06APR04	MATERIAL	-	HEAT TREAT	-
CHK	-	-	-	-	-	-
APVD	T.ELBIN	06APR04	Tyco Electronics Corporation Harrisburg, PA 17105-3608			
SCALE		SIZE	DRAWING NO	SHEET	REV	
-		A1	1385754	1 of 1	B	