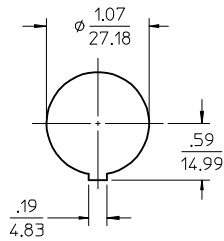
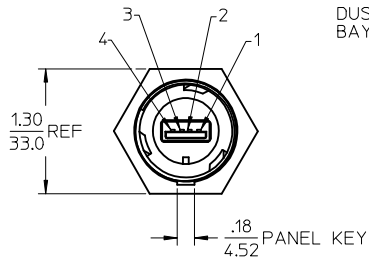


MATERIAL NO.	LENGTH
847290024	40 IN +2.0-.0 (1016.0 +50.8-0)

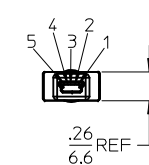
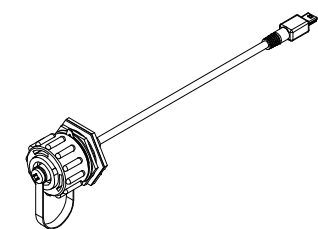
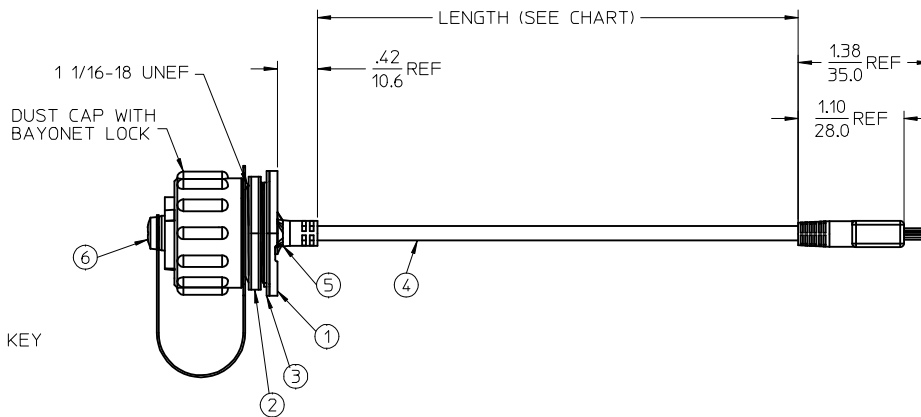


PANEL CUTOUT



USB-A DUST CAP REMOVED FOR CLARITY

P1



USB MINI-B P2

WIRING DIAGRAM

	P1	COLOR	P2
	1	RED (VVC)	1
PAIR	2	WHITE (-DATA)	2
	3	GREEN (+DATA)	3
	4	BLACK (GROUND)	5
	SHELL	SHELL+DRAIN	SHELL

CUSTOMER PRODUCTION APPROVAL  
 APPROVED BY: \_\_\_\_\_  
 DATE: \_\_\_\_\_  
 MUST BE SIGNED AND RETURNED BEFORE PRODUCTION WILL BEGIN.

NOTES:  
 1. MOLEX DUST CAP MOLEX PN 847000003  
 2. ASSEMBLY IS RoHS COMPLIANT

ITEM	QTY.	DESCRIPTION	MATERIAL	FINISH
6	1	DUST CAP	PBT, UL-94V-0	BLACK
5	A/R	POTTING COMPOUND	EPOXY	BLACK
4	1	USB-A CABLE TO MINI-B, 28AWG SHIELDED	PVC	BLACK
3	1	PANEL GASKET	NEOPRENE	BLACK
2	1	LOCKNUT	PBT, UL-94V-0	BLACK
1	1	RECEPTACLE HOUSING	PBT, UL-94V-0	BLACK

<b>RELEASES FOR PROD.</b> EC NO: IPG2013-0707 DRW: BRUPERT 2012/11/14 CHKD: _____ APPR: JFMURPHY 2013/01/18	QUALITY SYMBOLS
	=0 =0
	DESCRIPTION
	REV

GENERAL TOLERANCES (UNLESS SPECIFIED)	
	mm INCH
4 PLACES	± .10 ± .004
3 PLACES	± .15 ± .006
2 PLACES	± 0.05 ± .002
1 PLACE	± 0.10 ± .004
0 PLACE	± .15 ± .006
ANGULAR ± .5 °	
DRAFT WHERE APPLICABLE MUST REMAIN WITHIN DIMENSIONS	

DIMENSION STYLE	
MM ONLY	
DRAWN BY	DATE
BRUPERT	2012/07/16
CHECKED BY	DATE
APPROVED BY	DATE
JFMURPHY	2013/01/18
MATERIAL NO.	
SEE CHART	
SIZE	C

SCALE	DESIGN UNITS	THIRD ANGLE PROJECTION
1:1	METRIC	
TITLE		
2.0 USB-A TO USB MINI B RECEPTACLE		
DOCUMENT NO.		
SD-84729-020		
SHEET NO.		1 OF 1

THIS DRAWING CONTAINS INFORMATION THAT IS PROPRIETARY TO MOLEX INCORPORATED AND SHOULD NOT BE USED WITHOUT WRITTEN PERMISSION