

PLEASE CHECK WWW.MOLEX.COM FOR LATEST PART INFORMATION

Part Number: [63806-0900](#)
Status: **Active**
Description: Mini-Mac™ Applicator Rear Feed

Documents:
[RoHS Certificate of Compliance \(PDF\)](#)

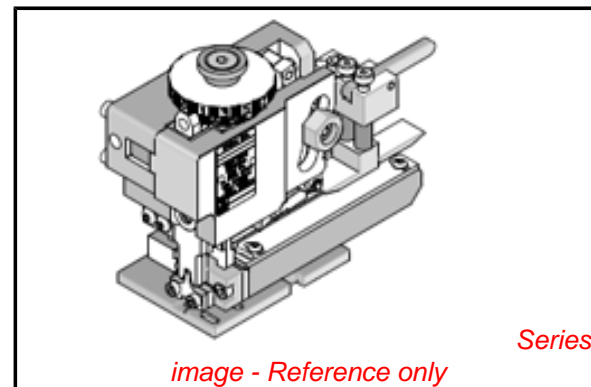
General

Product Family	Application Tooling
Series	T1101
Function	Crimp
Geographic Area	Global
Level of Automation	Automatic, Semi-Automatic
More Detailed Tech Information	applicationtooling@molex.com
Product Name	Mini-Mac™
Survey	www.molex.com//review/apptool_survey.html
Tool Type	Applicator
UPC	884982367289

Material Info

Reference - Drawing Numbers

Application Tooling Documents	ATS-638060900, TM-638800000, TM-638800000SP, TM-640160065, TM-640160065CN, TM-640160065DE, TM-640160065FR, TM-640160065IT, TM-640160065JP, TM-640160065KR, TM-640160065MY, TM-640160065PL, TM-640160065RU, TM-640160065SK, TM-640160065SP, TM-640160065TH, TM-640160065TW, TM-640160065VN
-------------------------------	-------------------------------------------------------------------------------------------------------------------------------------------------------------------------------------------------------------------------------------------------------------------------------------------



EU RoHS	China RoHS
Compliance Status	
Not Reviewed	
REACH SVHC	
Not Reviewed	
Low-Halogen Status	
Not Reviewed	

Need more information on product environmental compliance?

Email productcompliance@molex.com
 For a multiple part number RoHS Certificate of Compliance, [click here](#)

Please visit the [Contact Us](#) section for any non-product compliance questions.

Search Parts in this Series
[T1101Series](#)

Use With
 Quick Disconnect Safelock Female 14-18 and 18 Doubles AWG [94506](#) , [94512](#) , [94513](#)

Application Tooling Description	FAQ Product #
Quick Disconnect, Safelock Female for (1.00-2.50mm ²) 10-18 AWG Wire, Accepts 6.35 x 0.81mm Tab, Tin	0945060201
Quick Disconnect, High Reliability Terminal (HRT), Female for (1.00-2.50mm ²) 10-18 AWG Wire, Accepts 6.30 x 0.81mm Tab , Unplated	0945120200

Quick Disconnect, High Reliability Terminal (HRT), Female for (1.00-2.50mm ²) 10-18 AWG Wire, Accepts 6.30 x 0.81mm Tab	0945120201
Quick Disconnect, High Reliability Terminal (HRT), Female for (1.00-2.50mm ²) 10-18 AWG Wire, Accepts 6.30 x 0.81mm Tab	0945120211
Quick Disconnect, Female for (0.50-1.00mm ²) 10-24 AWG Wire, Accepts 6.35 x 0.81mm Tab, Unplated	0945130200
Quick Disconnect, Female for (0.50-1.00mm ²) 10-24 AWG Wire, Accepts 6.35 x 0.81mm Tab, Tin	0945130201

This document was generated on 11/27/2012

PLEASE CHECK WWW.MOLEX.COM FOR LATEST PART INFORMATION